



## BRASS CAM-LOCK COUPLERS

Model/Ref: 2261-2268



*Partnership.  
Without Limits.*

[www.lauridsenindustri.com](http://www.lauridsenindustri.com)

**BRASS CAM-LOCK COUPLERS ( 2261-2268 )**



**Size :** DN 15 to DN 100  
**Ends :** Female , Male and hose coupling  
**Min Temperature :** - 10°C  
**Max Temperature :** + 60°C  
**Max Pressure :** 16 Bars  
**Specifications :** Brass  
NBR gasket  
According to MIL-C-27487

**Materials :** Brass

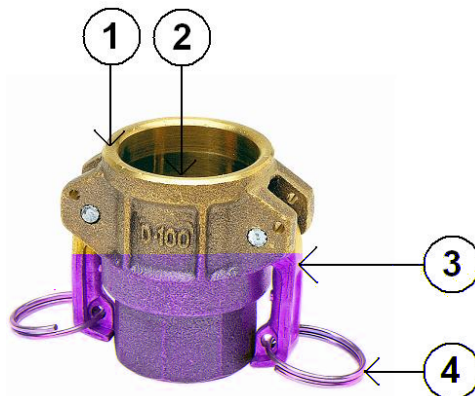
BRASS CAM-LOCK COUPLERS ( 2261-2268 )

Brass  
 NBR gasket ( only for couplers )  
 According to MIL-C-27487

For all common fluids  
 Min and max Temperature Ts : - 10°C to + 60°C  
 Max Pressure PN : See the table thereafter

DN	1/2"	3/4"	1"	1"1/4	1"1/2	2"	2"1/2	3"	4"
PN ( Bar )	11	16	16	16	16	16	11	9	7

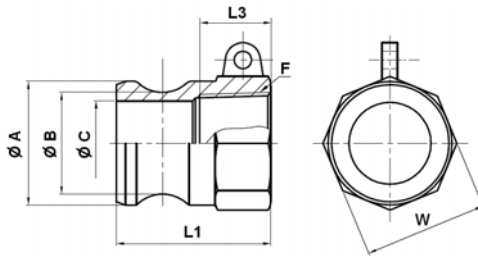
Female adapter type A **Ref.2261** DN 1/2" to DN 4"  
 Male coupler type B **Ref.2262** DN 1/2" to DN 4"  
 Hose coupler type C **Ref.2263** DN 1/2" to DN 4"  
 Female coupler type D **Ref.2264** DN 1/2" to DN 4"  
 Hose adapter type E **Ref.2265** DN 1/2" to DN 4"  
 Male adapter type F **Ref.2266** DN 1/2" to DN 4"  
 Cap coupler type DC **Ref.2267** DN 1/2" to DN 4"  
 Plug adapter type DP **Ref.2268** DN 1/2" to DN 4"  
**Other gasket on demand : EPDM or FKM**



Item	Designation	Materials
1	Body	Brass
2	Gasket	NBR
3	Cam	Brass
4	Ring	Brass

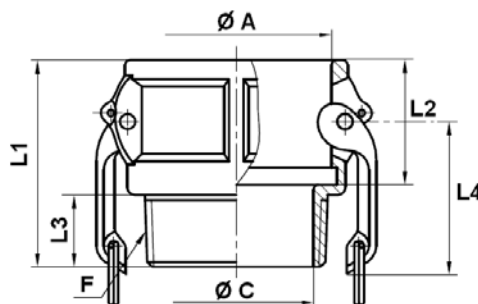
**BRASS CAM-LOCK COUPLERS ( 2261-2268 )**

Female Adapter type A Ref.2261



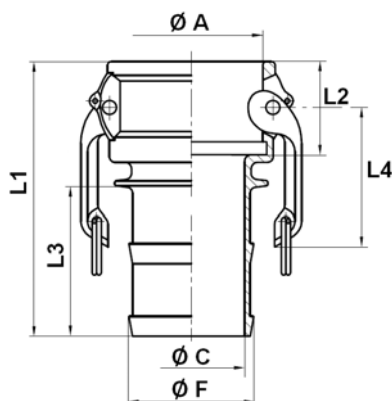
REF.	DN	1/2"	3/4"	1"	1"1/4	1"1/2	2"	2"1/2	3"	4"
2261	F	1/2"	3/4"	1"	1"1/4	1"1/2	2"	2"1/2	3"	4"
	Ø A	24	32.4	36.7	45.5	53.5	63	75.8	91.5	119.5
	Ø B	18.2	26.2	29	35.2	43.1	52.5	64.6	81	106
	Ø C	14.5	22.7	25.4	31	38.5	47.5	59	75	102.4
	L1	36.5	36.5	44.5	51	54	60.5	66	67	72
	L3	14	16	20	21	23	26	29	30	33
	W on flat	26.5	32.5	37.5	47	54.5	65	80	94	120
	Weig. (Kg)	0.08	0.11	0.15	0.21	0.3	0.42	0.81	0.77	1.29

Male coupler type B Ref.2262



REF.	DN	1/2"	3/4"	1"	1"1/4	1"1/2	2"	2"1/2	3"	4"
2262	F	1/2"	3/4"	1"	1"1/4	1"1/2	2"	2"1/2	3"	4"
	Ø A	24.3	32.5	37.3	46	54	63.8	76.5	92.2	120.2
	Ø C	12.8	19.5	25.4	34	40	50.5	63.5	76	100
	L1	45.8	45	55.5	62.5	65.5	71	83	84	92
	L2	27	29	36	42	42	47.5	50	51	52
	L3	15	14.5	18	24	20	23	28	31	36
	L4	34	34	42	59	59	59	59	70	70
	Weig. (Kg)	0.18	0.21	0.33	0.53	0.56	0.68	1.1	1.35	2.19

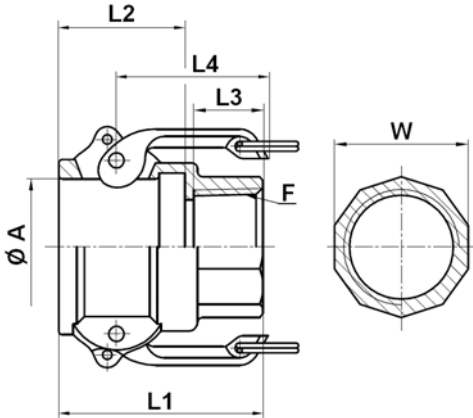
Hose coupler type C Ref.2263



REF.	DN	1/2"	3/4"	1"	1"1/4	1"1/2	2"	2"1/2	3"	4"
2263	Ø F	15	21.4	27.3	34	40.4	53	66.7	79	104.5
	Ø A	24.3	32.5	37.3	46	54	63.8	76.5	92.2	120.2
	Ø C	8	15	21.4	27	33.7	45	58.4	69.5	94
	L1	64	82	91.5	98	103	117	145	151.5	159
	L2	27	29	36	42	42	47.5	50	51	52
	L3	30	50	52	55	59	67	87	97	107
	L4	34	34	42	59	59	59	59	70	70
	Weig. (Kg)	0.17	0.24	0.37	0.56	0.61	0.78	1.22	1.48	2.95

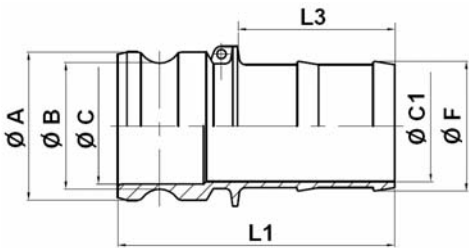
BRASS CAM-LOCK COUPLERS ( 2261-2268 )

Female coupler type D Ref.2264



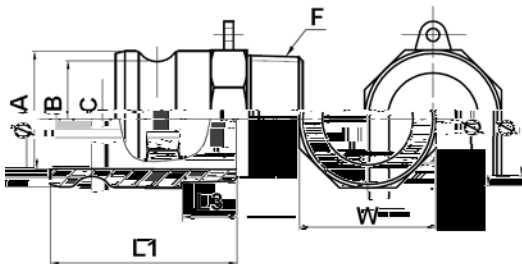
REF.	DN	1/2"	3/4"	1"	1"1/4	1"1/2	2"	2"1/2	3"	4"
2264	F	1/2"	3/4"	1"	1"1/4	1"1/2	2"	2"1/2	3"	4"
	Ø A	24.3	32.5	37.3	46	54	63.8	76.5	92.2	120.2
	L1	43	45	54	61	63	72	82.5	85.5	90
	L2	27	29	36	42	42	47.5	50	51	52
	L3	15	18	20	20	25	23	29	31	35
	L4	34	34	42	59	59	59	59	70	70
	W on flat	26	31	37.5	46.5	54	65	80	93.5	120
	Weig. (Kg)	0.09	0.23	0.34	0.56	0.67	0.74	0.99	1.39	2.42

Hose adapter type E Ref.2265



REF.	DN	1/2"	3/4"	1"	1"1/4	1"1/2	2"	2"1/2	3"	4"
2265	Ø F	15.1	21.5	27.3	34	40.4	53	66.7	79.3	104.7
	Ø A	24	32.4	36.7	45.5	53.5	63	75.8	91.5	119.5
	Ø B	18.2	26.2	29	35.2	43.1	52.5	64.6	81	106
	Ø C	14.5	22.7	25.4	31	38.5	47.5	59	75	102.4
	Ø C1	8.5	15	21.4	27.3	33.7	46	58.5	69.5	94
	L1	70	86	101	106	112	128	138	160	163
	L3	44	50	55	56	58	67	78	99	108
	Weig. (Kg)	0.11	0.18	0.29	0.35	0.47	0.71	1.14	1.37	2.45

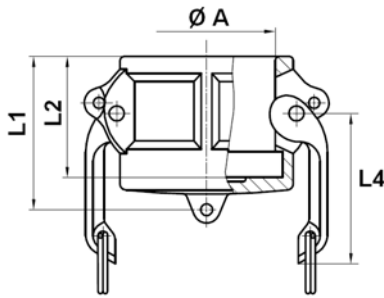
Male adapter type F Ref.2266



REF.	DN	1/2"	3/4"	1"	1"1/4	1"1/2	2"	2"1/2	3"	4"
2266	F	1/2"	3/4"	1"	1"1/4	1"1/2	2"	2"1/2	3"	4"
	Ø A	24	32.4	36.7	45.5	53.5	63	75.8	91.5	119.5
	Ø B	18.2	26.2	29	35.2	43.1	52.5	64.6	81	106
	Ø C	14.5	22.7	25.4	31	38.5	47.5	59	75.3	102.4
	L1	51.4	51.5	62	70	73.5	82.5	94	97	110
	L3	14	18	19	21	18	20	28	29	36
	W on flat	25.4	32.5	38	46	54	64	78	93	120
	Weig. (Kg)	0.09	0.14	0.2	0.29	0.36	0.57	0.9	1.21	1.94

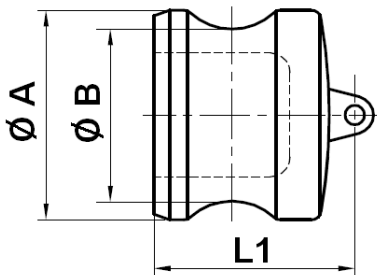
**BRASS CAM-LOCK COUPLERS ( 2261-2268 )**

**Cap coupler type DC Ref.2267**



REF.	DN	1/2"	3/4"	1"	1"1/4	1"1/2	2"	2"1/2	3"	4"
2267	Ø A	24.3	32.5	37.3	46	54	63.8	76.5	92.2	120.2
	L1	33	35.4	41.7	47.6	51	56.3	60.5	63.9	64.5
	L2	27	29	36	42	42	47.5	50	51	52
	L4	34	34	42	59	59	59	59	70	70
	Weig. (Kg)	0.19	0.3	0.47	0.57	0.56	0.67	0.83	1.12	2.49

**Cap adapter type DP Ref.2268**



REF.	DN	1/2"	3/4"	1"	1"1/4	1"1/2	2"	2"1/2	3"	4"
2268	Ø A	24	32.4	36.7	45.5	53.5	63	75.8	91.5	119.5
	Ø B	18.2	26.2	29	35.2	43.1	52.5	64.6	81	106
	L1	31	30.3	37.4	43	44.2	49.6	53.3	56.3	58
	Weig. (Kg)	0.06	0.1	0.16	0.24	0.32	0.44	0.57	0.77	1.33

Fabrication according to ISO 9001 : 2008

Directive 97/23/CE : Products excluded from directive ( Article 1, § 3.2 )

Designing according to MIL-C-27487 and A-A 59326

Threaded male and female BSP cylindrical according to ISO 228-1

This information is given informally. It can be modified at any time