



2420-2429 - Couplings Symetrical Stainless Steel

Model/Ref: 2420-2429



*Partnership.
Without Limits.*

www.lauridsenindustri.com

SYMETRICAL



DN 20 to DN 100
Male and hose coupling

SYMETRICAL COUPLINGS S.S. (2420-2429)

SPECIFICATIONS :

-
-
-

USE :

-
-
-

RANGE :

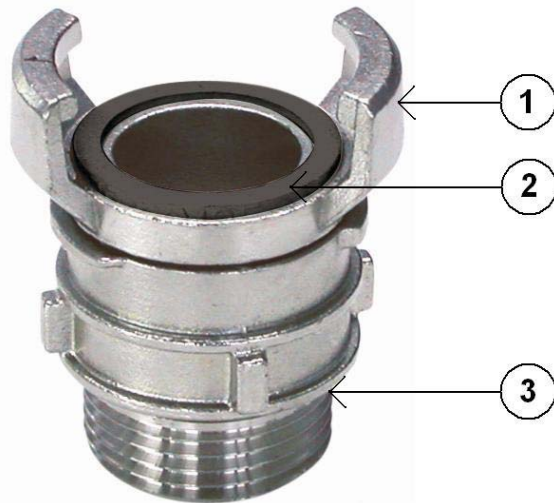
-
-
-

Ref.2420

Ref.2421

Ref.2422 wlock and collar4064Td00C11Tf0 TatuRef.2420 DN 209-40 to DN 100-

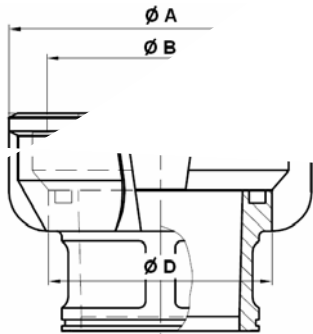
□ □ □ □



SYMETRICAL C

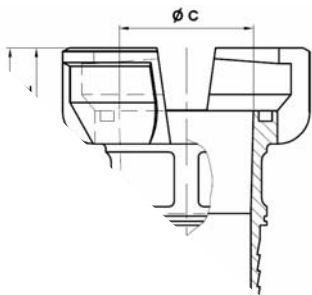
SIZE (in mm) :

- For all types (except



REF.	DN	20	25	32	40	50	65	80	100
All	Ø A	47	54	58	75	92	108	131	151
	Ø B	32	37	42.5	55	69	84	103	123
	Ø D	31	37	41.5	54	68	83	101	121

- Hose coupling with lock Ref.2420



REF.	DN	20	25	32	40	50	65	80	100
2420	Ø F	25	30	35	45	55	70	90	110
	Ø E	18	25	30	38	48	64	80	98
	Ø C	18	25	29	38	49	64	81	98
	L1	76	76	79	98	114	117	142	164
	L2	20	20	22	27.5	36	32	40	40
	L3	32	32	34	38	46	50	65	82
	Weight (Kg)	0.18	0.22	0.29	0.54	0.86	1.11	1.84	3.06

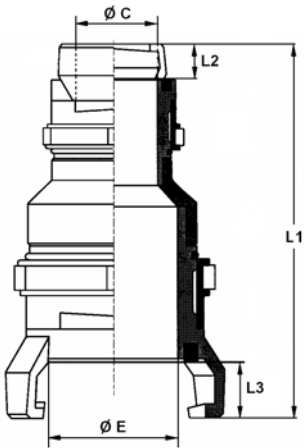
Collar* Ref.2421

REF.	DN	20	25	32	40	50	65	80	100
2421	Ø A	47	54	58	75	92	108	131	151
	Ø B	32	37	42.5	55	69	84	103	123

SYMETRICAL COUPLINGS S.S. (2420-2429)

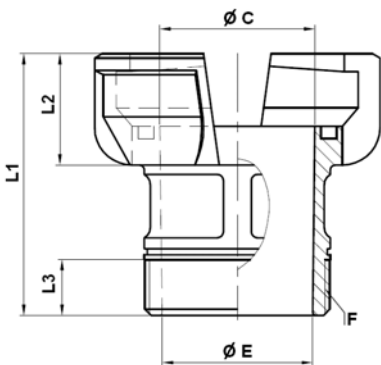
SIZE (in mm) :

- Reduced coupling with lock Ref.2422



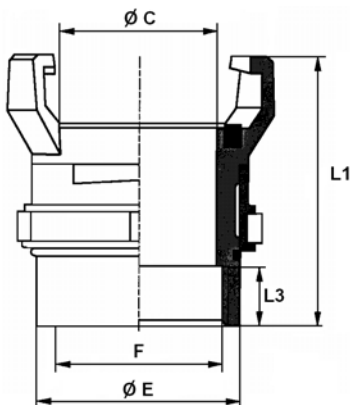
REF.	DN	50	65	65	80	80	100	100	100	100
2422	DN1	40	40	50	50	65	40	50	65	80
	Ø E	50	64	64	80	80	100	100	100	100
	Ø C	40	39	49	49	64	39	49	64	80
	L1	130	174	157	173	173	195	195	202	185
	L2	27	27	36	36	32	27	36	32	39
	L3	36	32	32	39	39	41	41	41	43
	Weight (Kg)	1.23	1.61	1.7	2.2	2.4	2.8	3.16	3.31	3.39

- Male coupling with lock Ref.2423



REF.	DN	20	25	32	40	50	65	80	100
2423	F	3/4"	1"	1"1/4	1"1/2	2"	2"1/2	3"	4"
	Ø E	20	25	30	40	50	65	80	100
	Ø C	20	25	30	40	50	66	81	100
	L1	52.7	53.3	67	69.5	84.5	86	99	108
	L2	19.2	19.7	21.5	27.5	36	34	39	42
	L3	12	13	13	15	18	20	24	26
	Weight (Kg)	0.15	0.2	0.38	0.32	0.56	0.96	1.86	2.13

- Female coupling with lock Ref.2424

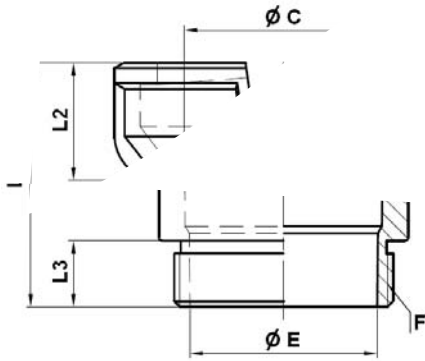


REF.	DN	20	25	32	40	50	65	80	100
2424	F	3/4"	1"	1"1/4	1"1/2	2"	2"1/2	3"	4"
	Ø E	32	38	50	55	64	78	101	120
	Ø C	19	24	29	40	50	65	80	100
	L1	73	73	73	86	90	89	106	132
	L3	15	15	14	16	17	22	26	26
	Weight (Kg)	0.22	0.27	0.35	0.4	0.77	0.89	1.35	2.33

SYMETRICAL

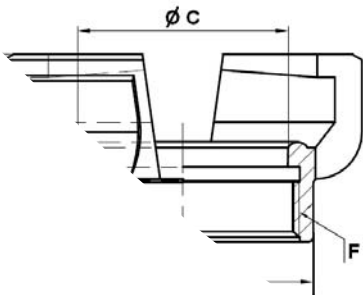
SIZE (in mm) :

- Male coupling with



L1	37	43	43.5	53	65	80	100	
L2	19.2	19.7	21.5	27.5	36	34	39	42
L3	12	13	13.5	15	18	20	24	25
Weight (Kg)	0.09	0.15	0.26	0.29	0.55	0.74	0.93	1.53

- Female coupling without lock Ref.2426



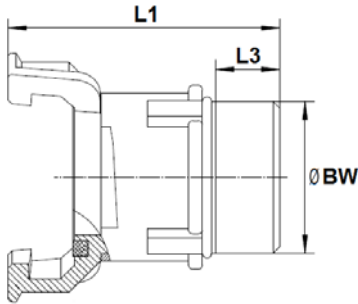
REF.	DN	15	20	25	32	40	50	65	80	100
2426	F	1/2"	3/4"	1"	1"1/4	1"1/2	2"	2"1/2	3"	4"
	Ø C	15	20	25	30	40	51	65	82	101
	Ø E	27	31	37	48	54	68	83	101	121
	L1	30	33	34	48	42	49	53	59	63
	L2	16.5	19.2	19.7	21.5	27.5	36	34	39	42
	L3	13.5	12	14	14	16	18	21	26	26
	Weig. (Kg)	0.07	0.07	0.09	0.24	0.19	0.37	0.48	0.93	0.89

50	65	80	100
	94	114	

SYMETRICAL COUPLINGS S.S. (2420-2429)

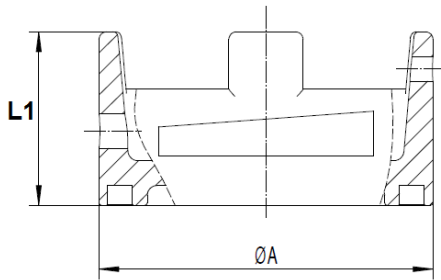
SIZE (in mm) :

- B.W. coupling with lock Ref.2428



REF.	DN	15	20	25	32	40	50	65	80	100
2428	Ø BW	21	26.7	33.4	42.2	48	60	75	88	113
	L1	46.5	52.7	56.5	66	69.5	84.5	86	99	108
	L3	10.5	12	13	13	15	18	20	24	26
	Weig. (Kg)	0.09	0.14	0.18	0.3	0.35	0.67	0.84	1.34	2.15

- Cap without lock and with chain Ref.2429



REF.	DN	25	32	40	50	65	80	100
2429	Ø A	36.5	41.5	54	68	83	101	121
	L1	27	27	30	35	32	40.3	40.5
	Weig. (Kg)	0.07	0.09	0.16	0.33	0.35	0.5	0.8

STANDARDS :

-
-
-

This information is given informally. It can be modified at any time