



783-4-5-6 VALVE WITH UV ACTUATOR

Model/Ref: 275377022330



*Partnership.
Without Limits.*

www.lauridsenindustri.dk

783-4-5-6 VALVE WITH UV ACTUATOR

CHARACTERISTICS

The 3-way stainless steel 783-5+AP (L-port) and 784-6 +AP (T-port) ball valves are dedicated to the mixing, diverting or automatic discharging of industrial unloaded fluids. The valves with a DN from 50 to 80 have a floating ball construction and those with a DN from 100 to 150 have a trunnion mounted ball construction. They both have the EC and ATEX certifications. The ISO 5211 pad enables the direct mounting of the UV electric actuator. It is perfectly suitable for an indoor or outdoor service (under shelter).



AVAILABLE ITEMS

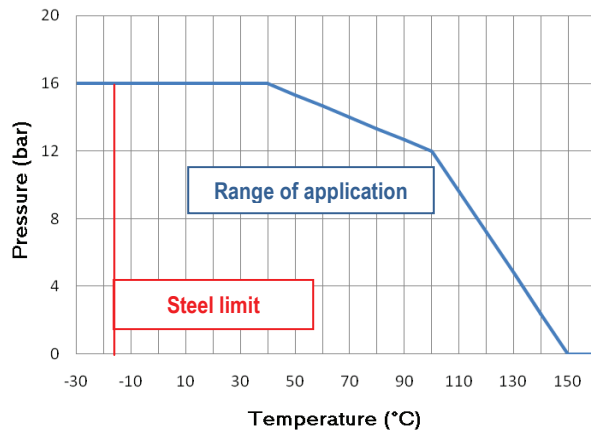
Ref.	Material	Port	Function
783	Carbon steel A216WCB	L	Diverting
784	Carbon steel A216WCB	T	Mixing
785	Stainless steel A351 CF8M	L	Diverting
786	Stainless steel A351 CF8M	T	Mixing

DN 50 to DN 150

Flanged connections RF PN16

LIMITS OF USE

Max. allowable pressure (PS)	16 bar (20 °C)
Min./max. allowable temperature (TS)	Steel: -20 °C / +150 °C SS: -30 °C / +150 °C
Room temperature	-10 °C / +50 °C
Service	S4 - 30% - 10 starts/h



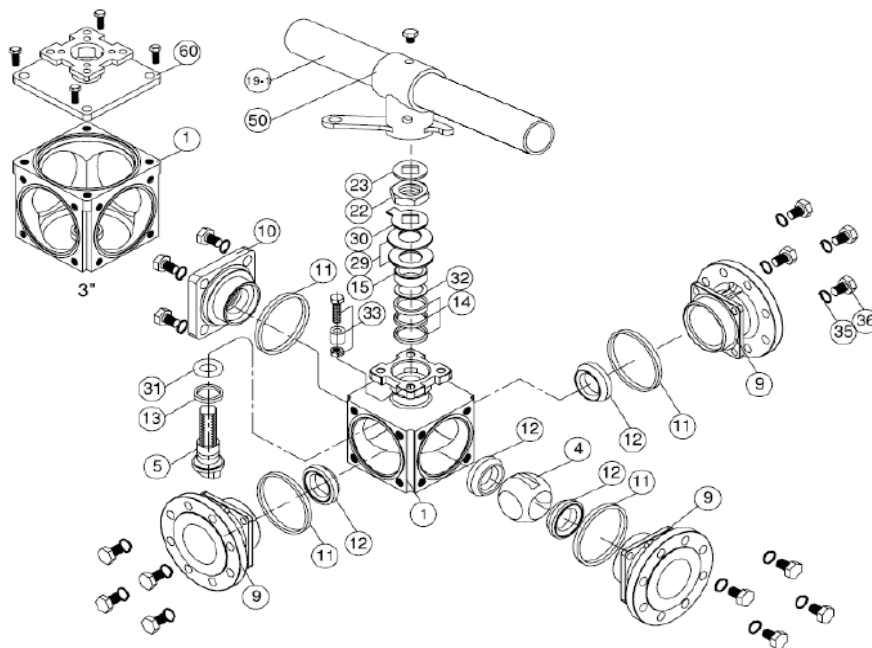
The following data is for information purpose only and may be subject to alteration without prior notice

783-4-5-6 VALVE WITH UV ACTUATOR

DIRECTIVES AND DEVELOPMENT STANDARDS APPLICABLE

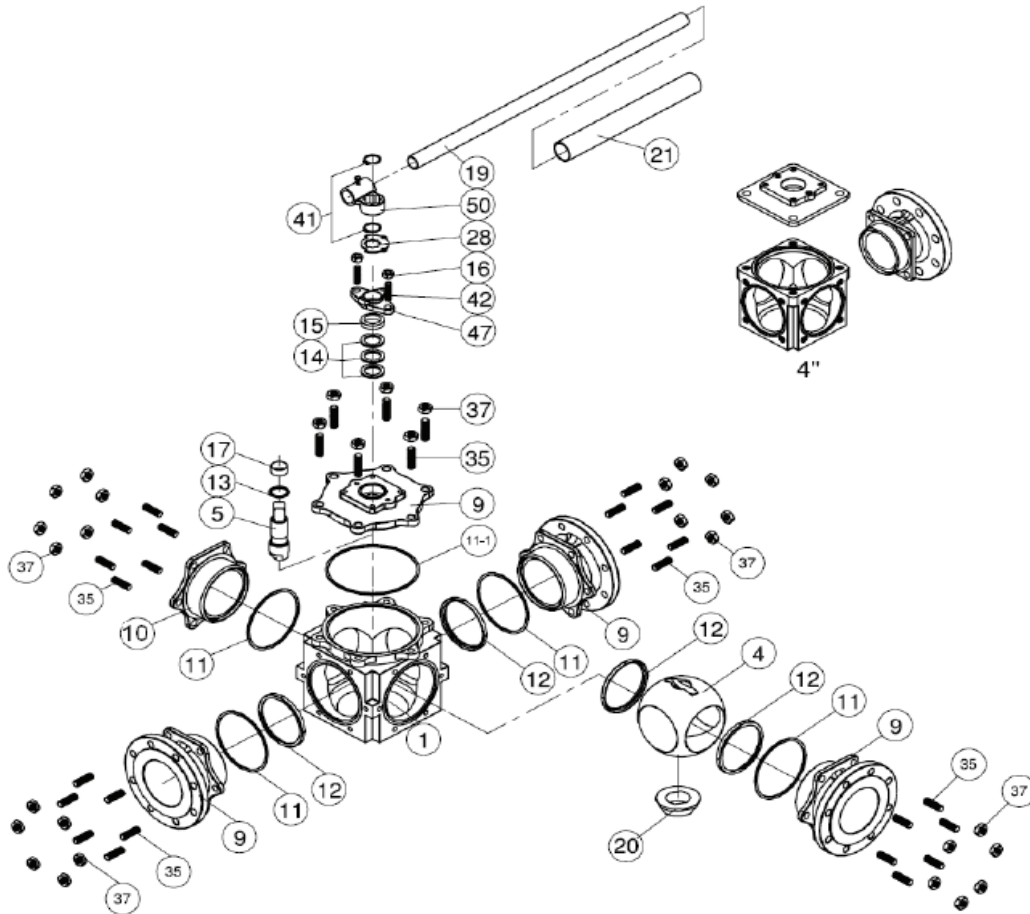
	Standard	Notified bodies		Standard
97/23/EC Pressure Equipment Directive	Category II	#0035	Material certificate	EN 10204
Shell design	EN 12516-1		Alloy grade	EN 1503-1
Flanges dimension	EN 1092-1		Valve testing	EN 12266
Actuator attachment	ISO 5211			

CONSTRUCTION DN 50 to DN 80



#	Item	783-784 CS	785-786 SS	#	Item	Material
1	Body	Carbon steel A216 WCB	Stainless steel A351 CF8M	22	Gland pack nut	SS 304
4	Ball	SS 1.4308	Stainless steel A351 CF8M	23	Washer	SS 304
5	Stem	SS 304	SS 316	29	Belleville spring washer	SS 301
9	Ends	Carbon steel A216 WCB	Stainless steel A351 CF8M	30	Locking washer	SS 304
10	Cap	Carbon steel A216 WCB	Stainless steel A351 CF8M	31	O ring	FKM
11	Body gasket	PTFE		32	Gland packing	PTFE+15% Graphite
12	Seat	PTFE+15% Graphite		33	End stop	SS 304
13	Ring	PTFE		35	Washer	SS 304
14	Gland pack	PTFE		36	Screw	SS 304
15	Ring	SS 304		50	Handle adapter	SS 304
19	Handle	Steel				

The following data is for information purpose only and may be subject to alteration without prior notice

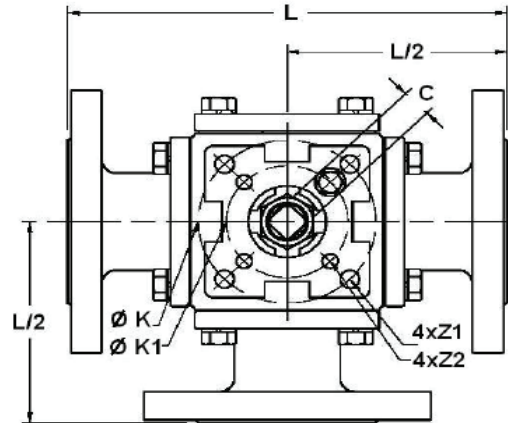
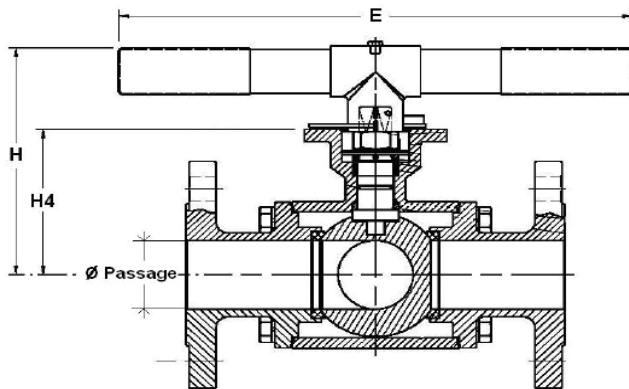
783-4-5-6 VALVE WITH UV ACTUATOR
CONSTRUCTION DN 100 to DN 150


#	Item	783-784 CS	785-786 SS	#	Item	Material
1	Body	Carbon steel A216 WCB	Stainless steel A351 CF8M	17	Stem gasket	PTFE
4	Ball	SS 1.4308	Stainless steel A351 CF8M	19	Handle	Steel
5	Stem	SS 304	SS 316	20	Guide screw	SS 304
9	Ends	Carbon steel A216 WCB	Stainless steel A351 CF8M	21	Handle sleeve	PVC
10	Housing cover	Carbon steel A216 WCB	Stainless steel A351 CF8M	28	Lock out device	SS 304
11	Body gasket	PTFE		35	Bolts	SS 304
11-1	Top body gasket	PTFE		37	Bolts screws	SS 304
12	Seat	PTFE+15% Graphite		41	Handle washer	SS 304
13	Ring	PTFE		42	Gland pack screw	SS 304
14	Gland pack	PTFE		47	Gland plate	SS 1.4308
15	Fixing ring	SS 304		50	Handle adapter	SS 304
16	Gland pack nut	SS 304				

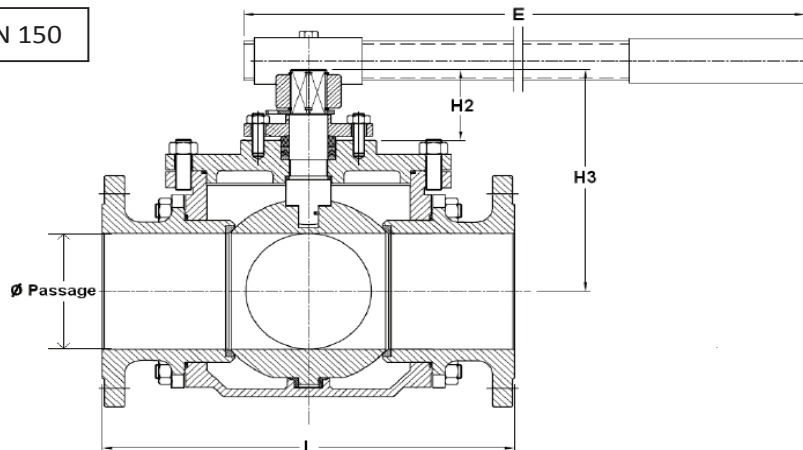
The following data is for information purpose only and may be subject to alteration without prior notice

783-4-5-6 VALVE WITH UV ACTUATOR
DIMENSIONS (mm)

DN 50 to DN 80



DN 100 to DN 150



DN	50	65	80
∅	49	64	76
L	253	278	292.2
L/2	126.5	139	146.1
E	300	300	300
H	156.6	168.9	178
H1	17.8	17.5	17.5
H4	105.8	117.3	128
C	17	17	17
∅ K	102	102	102
∅ K1	70	70	70
4 x Z1	4x11	4x11	4x11
4 x Z2	4x9	4x9	4x9
Weight (kg)	19	23.8	34.5

DN	100	125	150
∅	99	125	150
L	360	416	473
L/2	180	203	236
E	600	600	800
H1	33	33	43.5
H2	70	70	77.5
H3	193	233	266
C	27	27	36
∅ K	125	125	140
4xZ	4x12	4x12	4x16
Weight (kg) L	67.4	95	124
Weight (kg) T	61.8	95	127

The following data is for information purpose only and may be subject to alteration without prior notice

783-4-5-6 VALVE WITH UV ACTUATOR

ACTUATION WITH UV

Suggested standard UV actuation under the following conditions:

- Electric actuator with an IP 65 plastic enclosure and steel gears
- A minimum 1.3 safety factor compared with the valve nominal torque rating,
- A maximum pressure differential up/downstream of 10 bar (=ΔP)

The actuator is mounted directly.

DN	Actuator	Power	Operating time* 230 V AC	Operating time* 24 V AC/DC	Standard equipment of the actuator
50	UVC15	25 W	8 s	8 s	2 adjustable limit switches 2 dry auxiliary switches Actuator thermal cut-out Manual override by declutchable handwheel Visual position indicator Electric connection: 2 gland packs ½" PF
65	UVC15	25 W	8 s	8 s	
80	UVD25	25 W	20 s	20 s	
100	UVD25	25 W	20 s	20 s	
					<u>Optional equipment</u> Anti-condensation heater

*Unloaded operating time given for information purpose only. May vary depending on the medium
 For any other working conditions, please contact us.

ACTUATION OPTIONS

There are many different options, please contact our commercial department.

1	Electric actuator sized for a maximum pressure differential up/downstream over 10 bar (=ΔP)
2	Anti-condensation heater

The following data is for information purpose only and may be subject to alteration without prior notice