



**1121-1125 BUTTERFLY VALVES WITH + NA
ELECTRIC ACTUATORS**

Model/Ref: 262008023120



*Partnership.
Without Limits.*

www.lauridsenindustri.dk

1121-1125 BUTTERFLY VALVES WITH + NA ELECTRIC ACTUATORS

CHARACTERISTICS

The butterfly valves 1121 to 1125 are dedicated to the automatic opening/shut-off of common fluid pipes. It has a cast iron body. Thanks to various material possibilities for both the butterfly and the sleeve, it can be used in different applications. The wafer type body enables the mounting between PN10/16 or ANSI 150 flanges. The ISO 5211 pad enables the direct mounting of the NA electric actuator. It is perfectly adapted for an indoor or outdoor industrial use.

IP 67



AVAILABLE ITEMS

DN 100 to DN 300

Flanged connections RF PN10/16 and ANSI 150

Voltages: 24 V AC/DC and 230 V AC

Ref.	Butterfly	Sleeve	Application examples	Min. TS	Max. TS
1121	Stainless steel	NBR	Liquid hydrocarbons – compressed air	-10 °C	+90 °C
1123	Stainless steel	EPDM	Demineralised water – Alkaline materials	-10 °C	+110 °C
1125	Ductile iron	EPDM	Cold water – hot water	-10 °C	+110 °C

LIMITS OF USE

Max. allowable pressure (PS)	16 bar until DN 300
Min./max. allowable temperature (TS)	According to the upper chart
Prohibited use	Steam, natural gas
Room temperature	-10 °C / +70 °C
Service	S2 - 70%

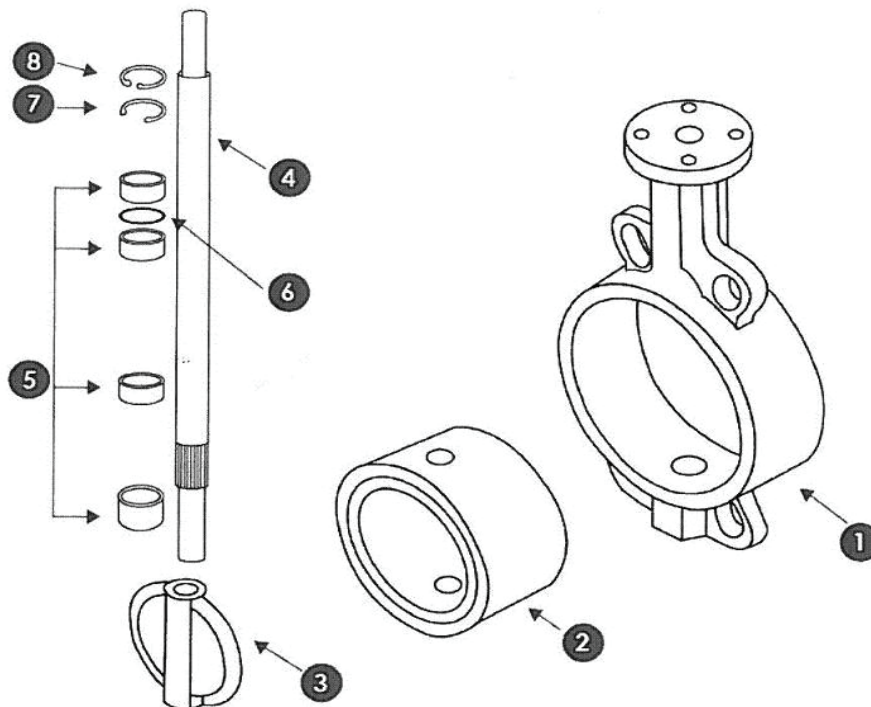


The following data is for information purpose only and may be subject to alteration without prior notice

1121-1125 BUTTERFLY VALVES WITH + NA ELECTRIC ACTUATORS

DIRECTIVES AND DEVELOPMENT STANDARDS APPLICABLE

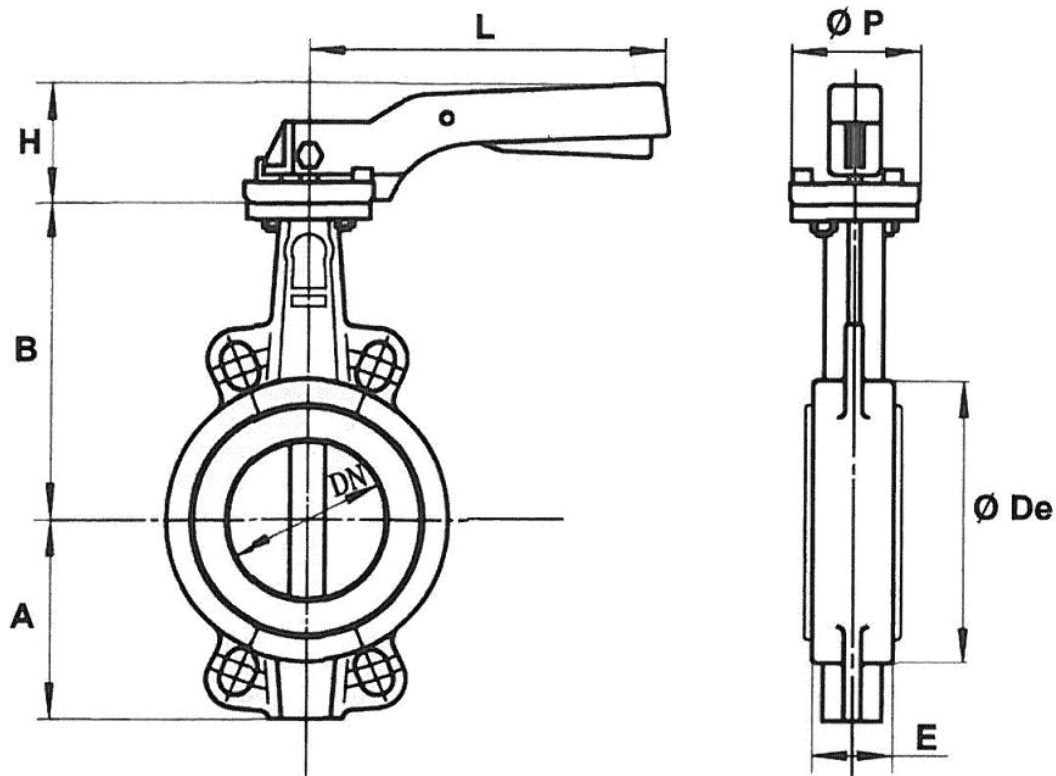
	Standard	Notified bodies		Standard
97/23/EC Pressure Equipment Directive	Cat. III module H	0035	Valve testing	API 598
Face-to-face dimension	ISO 5752 series 20		Actuator attachment	ISO 5211
Flange dimension	EN 1092-1			



CONSTRUCTION

#	Item	1121	1123	1125
1	Body	Cast iron EN GJL-250		
2	Seat	NBR	EPDM	EPDM
3	Butterfly	Stainless steel A351 CF8M	Stainless steel A351 CF8M	Nickel plated ductile iron EN GJS-400-15
4	Stem	Stainless steel 416		
5	Bearings	PTFE		
6	O-ring	NBR	NBR	NBR
7	Security rings	Steel		
8	Security rings	Steel		

The following data is for information purpose only and may be subject to alteration without prior notice

**1121-1125 BUTTERFLY VALVES WITH + NA
 ELECTRIC ACTUATORS**
DIMENSIONS (mm)


DN	40	50	65	80	100	125	150	200	250	300
A	61	77	87.5	95	107	121	144	171	205	235
B	130	136	142	158	180	192	215	242	280	310
Ø De	82	95	109	127	152	180	207	260	315	370
E	33	43	46	46	52	56	56	60	68	78
H	74	74	74	74	74	79	79	37	37	37
L	200	200	200	200	200	278	278	355	507	507
Ø P	65	65	65	65	65	90	90	125	150	150
Weight (kg)	1.8	2.5	2.9	3.2	4.12	6.7	7.8	14.2	23.4	33.8

FLOW FACTOR Kv (m³/h)

DN	40	50	65	80	100	125	150	200	250	300
Kv	78	98	167	258	512	872	1347	2675	4555	7037

The following data is for information purpose only and may be subject to alteration without prior notice

1121-1125 BUTTERFLY VALVES WITH + NA ELECTRIC ACTUATORS

ACTUATION WITH NA

Suggested standard NA actuation for the following conditions:

- Electric actuator with an IP 67 epoxy coated aluminium enclosure and steel gears
- A minimum 1.3 safety factor compared with the valve nominal torque rating
- A maximum pressure differential up/downstream of 10 bar ($=\Delta P$)

The actuator is mounted:

- Direct with an aluminium actuation pad for DN 100 to 200
- With stainless steel bracket and coupler according to the EN 15081 standard for DN 250 and 300





DN	Actuator	Power	Operating Time*	
40 to 80	Refer to 1150 + SA actuator			Standard equipment of the actuator
100	NA06	15 W	17 s	2 adjustable limit switches + 2 dry auxiliary switches 20 W anti-condensation heater Visual position indicator Actuator thermal cut-out (NA06 and NA09) Torque limiter (NA15 to NA150) Electrical connection: 2 gland packs M20 x 1.5 Manual override by declutchable handwheel
125	NA09	25 W	17 s	
150	NA15	40 W	20 s	
200	NA15	40 W	20 s	
250	NA28	40 W	20 s	
300	NA60	90 W	29 s	

*Unloaded operating time given for information purpose only. May vary depending on the medium

For any other working conditions, please contact us.

ACTUATION OPTIONS

There are many different options, please contact our commercial department.

1	2	3	4
NALCU: Actuator with a local control	NAPCU: regulation actuator 4-20 mA or 0-10 V	NARBP: Safety actuator with an integrated battery emergency shutdown	SR: Safety spring return actuator
			
5	Electric actuator sized for a maximum pressure differential up/downstream over 10 bar ($=\Delta P$)		
6	NA electric actuator with a declutchable manual override by handwheel		

The following data is for information purpose only and may be subject to alteration without prior notice