

2 PIECES F316L BALL VALVE CLASS 800

ISO 9001 : 2015



PED 2014/68/UE



Certificate 3.1

NACE

FIRE SAFE
BS 6755-2

Size : DN 1/4" to DN 2"
Ends : Threaded female BSP, NPT or S.W.
Min Temperature : - 30°C
Max Temperature : + 180°C
Max Pressure : 132 Bars (Class 800)
Specifications : Anti blow-out stem
Fire safe
Full bore

Materials : Stainless steel ASTM A276 316L

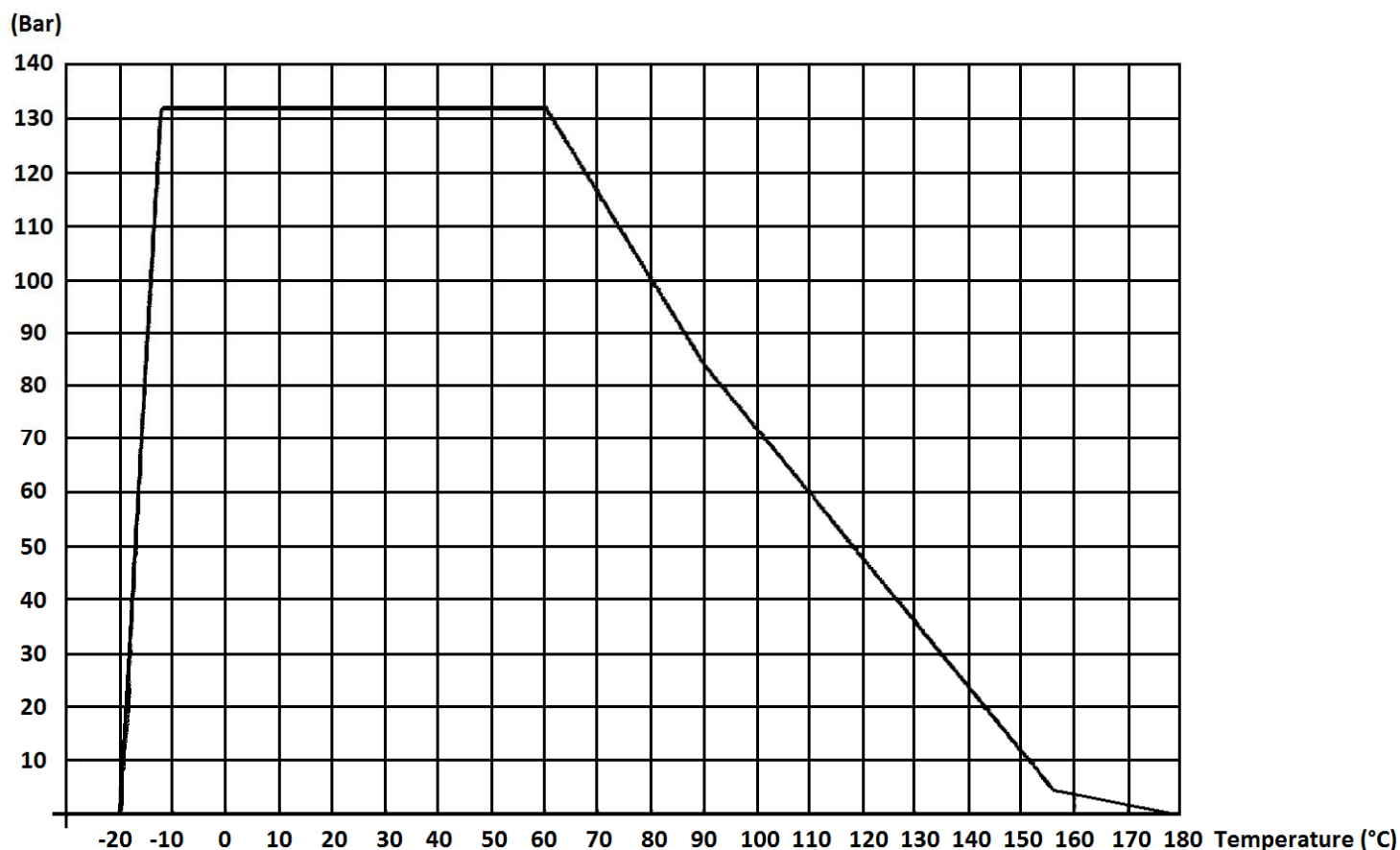
2 PIECES F316L BALL VALVE CLASS 800

SPECIFICATIONS :

- Full bore
- Anti blow-out stem
- Class 800
- Fire safe according to BS 6755 part.2
- Atex
- Antistatic device
- 2 pieces type
- NACE MR01-75

USE :

- Chemical and pharmaceutical industries, petrochemical industries, hydraulic installation, compressed air
- Min and max Temperature Ts : - 30°C to + 180°C
- Max Pressure Ps : 132 bars
- Steam : 5 bars maximum

PRESSURE / TEMPERATURE GRAPH :
PRESSURE


2 PIECES F316L BALL VALVE CLASS 800

RANGE :



- Ball valve class 800 forged stainless steel body ASTM A182 F316L **Ref. 716** DN 1/4" to DN 2"



- Stainless steel 304 with red cover handle

DN	1/4" - 3/8"	1/2"	3/4" - 1"	1"1/4 - 1"1/2	2"
Ref.	9830320	9830316	9830317	9830318	9830321



- Locking device (with padlock)

DN	1/4" - 3/8"	1/2"	3/4" - 1"	1"1/4 - 1"1/2	2"
Ref.	9830301	9830313	9830314	9830315	9830496

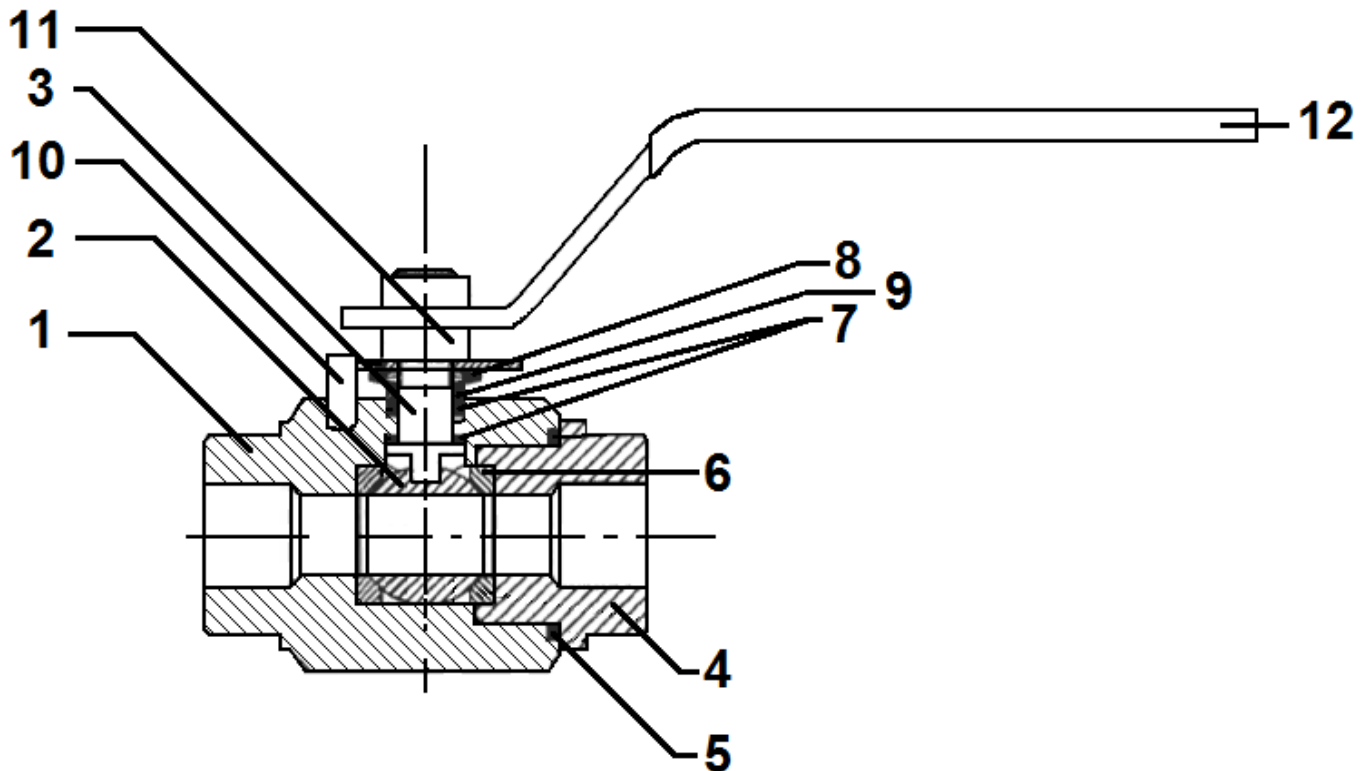


- Galvanized steel handwheel

DN	1/4" - 3/8"	1/2"	3/4" - 1"	1"1/4 - 1"1/2	2"
Ref.	9830571	9830572	9830573	9830574	

ENDS :

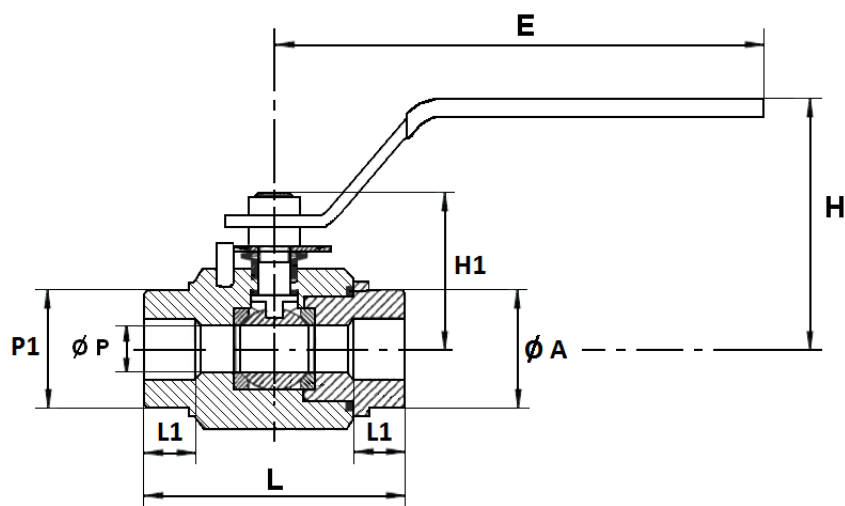
- Female / female threaded cylindrical BSP **Ref. 716**
- Female / female threaded NPT **Ref. 7161**
- Socket Welding ends **Ref. 7162**

2 PIECES F316L BALL VALVE CLASS 800
MATERIALS :


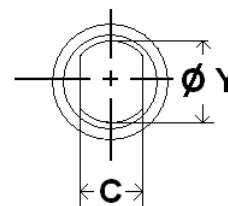
Item	Designation	Materials
1	Body	ASTM A182 F316L
2	Ball	
3	Stem	
4	Ends	
5	Body gasket	Carbongraphite
6	Seat	PTFE + carbongraphite
7	Stem gasket	Carbongraphite
8	Disc springs	Steel
9	Packing gland	F304
10	Stop	FE P11 (UNI 5867)
11	Nut	Steel 6S
12	Handle	FE P11 (UNI 5867)

2 PIECES F316L BALL VALVE CLASS 800

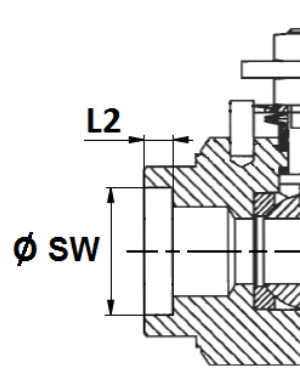
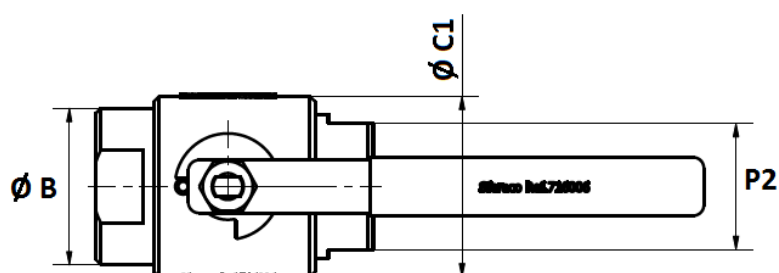
SIZE (in mm) :



Stem size :



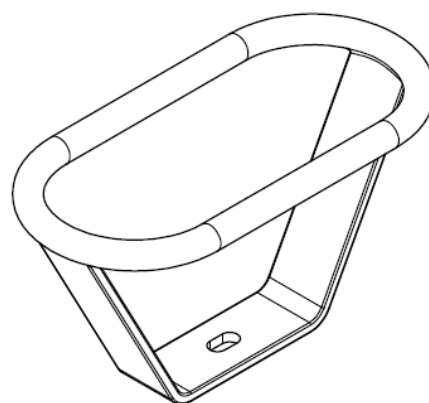
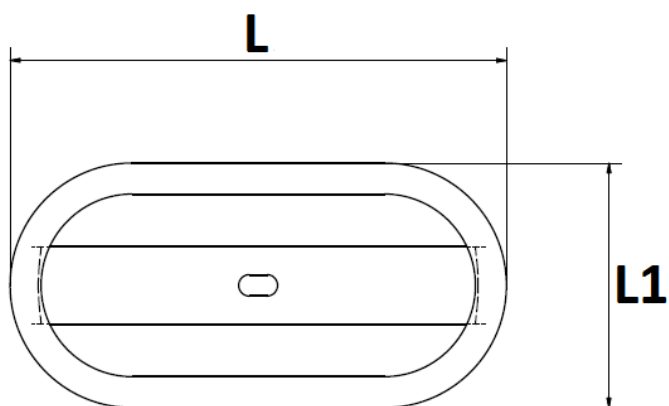
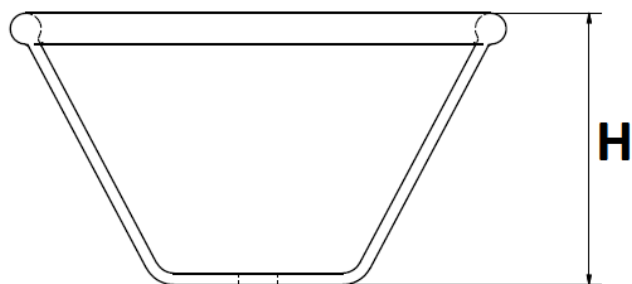
SW ends size (Ref.7162) :



DN	1/4"	3/8"	1/2"	3/4"	1"	1"1/4"	1"1/2"	2"
Ø P	10	10	15	20	25	30	38	48
L	67	67	75	90	105	120	135	155
L1	15	15	19	22	23	27	30	32
E	148	148	148	180	180	240	240	280
H	72	72	75	85	95	100	105	115
H1	41	41	45	57	61	74	80.5	91
P1 (on flat)	30	30	37.5	44.5	52	61.5	71.5	82
P2 (on flat)	29	29	36	45	47.5	57.5	71.5	81.5
Ø A	34.5	34.5	42	51	54.5	64.5	79.5	89.5
Ø B	34.5	34.5	42	51	59	70	80	90
Ø C1	42	42	50	60	68	80	93	104
C	5	5	5.5	7.5	7.5	9	9	9
Ø Y	8	8	10	12	12	14	14	14
Ø SW	14.3	17.8	21.8	27.3	34	42.6	48.7	61.3
L2	9.5	9.5	9.5	11.5	13	14	16	17
Weight (in Kg)	0.6	0.6	0.8	1.5	2	3.3	4.5	6

2 PIECES F316L BALL VALVE CLASS 800

HANDWHEEL SIZE (in mm):



DN	1/4"	3/8"	1/2"	3/4"	1"	1 1/4"	1 1/2"	2"
H	70	70	70	64	64	80	80	80
L	128	128	128	130	130	205	205	205
L1	63	63	63	82	82	105	105	105
Ref.	9830571	9830571	9830572	9830573	9830573	9830574	9830574	9830574
Weight (Kg)	0.300	0.300	0.380	0.420	0.420	0.460	0.460	0.460

2 PIECES F316L BALL VALVE CLASS 800**STANDARDS :**

- Fabrication according to ISO 9001 : 2015
- DIRECTIVE 2014/68/EU : CE N° 0948
Risk category III Module B+C2
- Certificate 3.1 on request
- Pressure tests according to API 598, table 6
- Fire safe according to B.S. 6755 part.2
- Threaded female BSP cylindrical ends according to ISO 228/1
- Threaded female NPT ends according to ANSI B1.20.1
- Materials according to NACE MR 01-75
- ATEX Group II Category 2 G/2D Zone 1 & 21 Zone 2 & 22 (optional marking)

ADVICE : Our opinion and our advice are not guaranteed and SFERACO shall not be liable for the consequences of damages. The customer must check the right choice of the products with the real service conditions.

INSTALLATION AND MAINTENANCE**BEFORE INSTALLATION :**

- Pipe-line must be cleaned and free from residual of weldings, rubbish, shaving and every kind of extraneous materials.
- Pipe-line must be perfectly aligned and their support properly dimensioned so that there's no external constraint.
- Please use the right product according to the services conditions to seal the valve.
- Use the right bolt tightening so that the ends won't be damaged.
- **During welding operation, for S.W. types half open the valve and weld the valves according to special procedures (like in water) to protect the seat because it could burn.**

CLEANING AND TESTS

- Keep closed the valves during the cleaning operation so that there's no impurities between the ball and the body.
- Tests under pressure must be done with a cleaned pipe-line.
- Open partially the valve for tests. Pressure test do not exceed the valve specifications according to API 598.

MAINTENANCE

- It's recommended to operate the valve (open and close) 1 to 2 times per year.
- When intervention on the valve, be sure there's no pressure in the pipe-line, there's no fluid in it, and that it is isolated.
- The temperature must be low enough to operate without risks.
- If there's a corrosive fluid, inert installation before intervention.