

Carbon steel shaft electroless with nickel plated against external and internal corrosion. Anti-blowout design.

The aluminium body is inside and outside coated with hard anodizing, with extremely abrasion resistance, low surface roughness and optimal resistance.

Pre-stressed springs offers more torque and different options for their positioning. This system allows us to easily fit the necessary torque to close or open the valve, offering a total safety replacement and manipulation.

External stroke adjustment for 5 degrees regulation, designed in opposite side of Namur connection for better manipulation when solenoid valve is assembled.

Pistons are coated with special treatment for corrosion resistance. Backlash free transmission due to special tooth machining. They have 3 way guiding for low friction between body and pistons. Pistons provided with internal guide machined between pistons and pinion.

The assembly of switch boxes, proximity switches or positioners, takes place by means of the Namur connection VDI/VDE 3845, carried out like standard in all our models. The height of the axis to fulfill this Norm is of 30mm, for all our products, with which it entails that with a single model of Box or positioner, we can cover all our manufacturing range.

Every single actuator is tested and provided with a unique serial number for traceability. This heat number is stamped in the body.

Different end caps for double or single acting for fast and safety identification without the need to read the label, in addition less air consumption in double acting actuators. Epoxy coated as standard protected against environment corrosion.

ADA 10

SIZES: 20 TO 2100

SIZE: 2500

SIZE: 4000

TYPES OF ACTUATORS
DOUBLE ACTING & SPRING RETURN
GENERAL CHARACTERISTICS

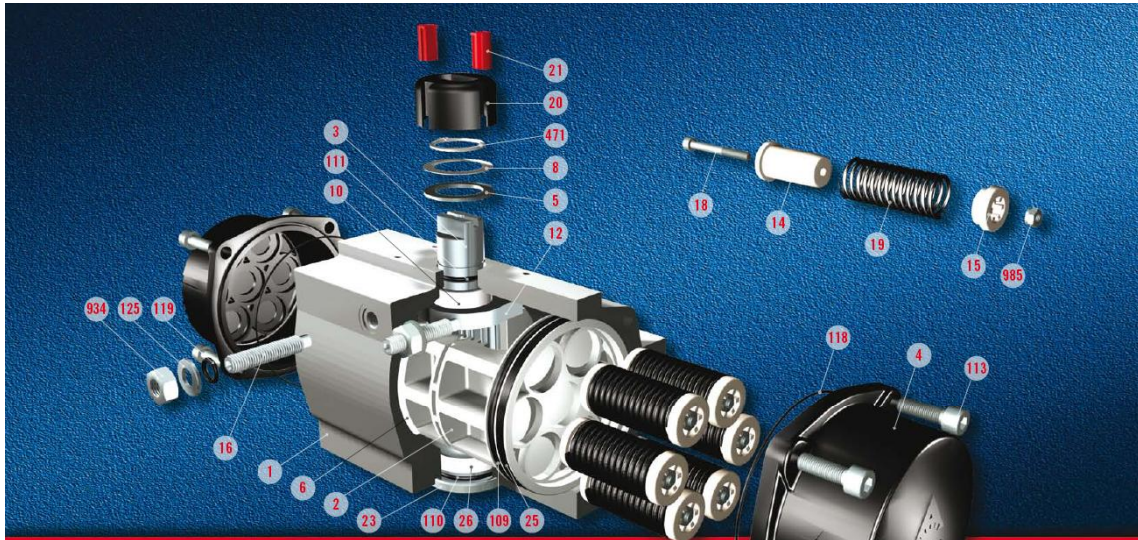
- ADA type: Double acting
- ASR type: Spring return
- Rack and pinion design
- Linear torque
- Rotation angle 90° ± 5°
- Antifriction sliding bearings
- Long life without maintenance
- Protected against environmental corrosion
- Hard anodized Aluminium body
- Electroless Nickel Plated pinion
- Epoxy coated end caps
- Stainless steel bolts, studs and nuts
- Working temperature: -30 °C to 100 °C in Standard Construction
 - 15 °C to 150 °C with FKM O-rings
 - 40 °C to 80 °C with Silicone O-rings
- Maximum working pressure: 8 bar (115 psig). (Except ADA10 at 10 bar)
- Total safety for springs replacement
- Mounting of solenoid valves acc. NAMUR Std.
- Mounting of devices acc. NAMUR VDI/VDE 3845 Std.
- Coupling according to ISO 5211 and DIN 3337 (Octagonal drive)
- Position indicator can be used also to operate mechanical limit switches

OPTIONS ON REQUEST

- Epoxy coated body
- Electroless Nickel Plated body and end caps
- High temperature construction
- Low temperature construction
- Stainless steel pinion
- Fast acting actuators
- Actuators with 100% travel adjustment stroke

BI-DIRECTIONAL TRAVEL STOPS
 ACTREED pneumatic actuators are provided with bi-directional pinion travel stops.
 Side located stops allow a full ± 5° travel adjustment between 85° and 90°. These travel stops are designed to absorb the maximum rated torque of the actuator and the maximum impact loads associated with recommended travel speed.

Adjustment of the counterclockwise and clockwise rotation limits is accomplished by unscrewing the locking nuts, turning the respective left and right stop studs to reduce or increase the travel angle and screwing the locking nuts.



SPRING RETURN ACTUATOR (ASR) PARTS & MATERIALS

- 1 • Body - Aluminium Hard Anodized
- 2 • Piston - Aluminium
- 3 • Pinion - Nickel Plated Carbon Steel
- 4 • End Caps - Aluminium Epoxy Coated
- 5 • Soft Washer Pinion - Polyamide PA 6.6
- 6 • Slide Piston - Polyamide PA 6.6 + 30% G.F.
- 7 • Lug - Nickel Plated Carbon Steel
- 8 • Pinion Washer - Stainless Steel
- 10 • Upper Pinion Bearing - Polyamide PA 6.6
Size 500 & greater in Reinforced Br.
- 12 • Stop - ASTM A-105
- 14 • Spring Long Support - Polyamide PA 6.6
- 15 • Spring Short Support - Polyamide PA 6.6
- 16 • Adjustment Stroke Screw - Stainless Steel
- 18 • Bolt - Stainless Steel
- 19 • Spring - DIN 2076 - D-5.6
- 20 • Position Indicator - Polyamide
- 21 • Cam - Polyamide
- 23 • Centering Ring - Nickel Plated Carbon Steel
- 25 • Slide Guide - Polyamide PA 6.6 + 30% G.F.
- 26 • Lower Pinion Bearing - Polyamide PA 6.6
- 109 • Stop Washer Pinion - Stainless Steel
- 110 • O Ring - NBR
- 111 • O Ring - NBR
- 113 • Bolt - Stainless Steel
- 118 • O Ring - NBR
- 119 • O Ring - NBR
- 125 • Washer - Stainless Steel
- 471 • Slip Washer - Stainless Steel
- 934 • Nut - Stainless Steel
- 985 • Nut - Stainless Steel

*Recommended spare parts
**Only for sizes 2500 & 4000

| Double Acting Actuator Torque Output in Nm | | | | | | | | | | | | | | | |
|--|-------------|------|------|------|------|------|------|------|------|------|------|------|------|------|------|
| Size | Stroke (mm) | | | | | | | | | | | | | | |
| | 10 | 15 | 20 | 25 | 30 | 35 | 40 | 45 | 50 | 55 | 60 | 65 | 70 | 75 | 80 |
| 25 | 1.0 | 1.5 | 2.0 | 2.5 | 3.0 | 3.5 | 4.0 | 4.5 | 5.0 | 5.5 | 6.0 | 6.5 | 7.0 | 7.5 | 8.0 |
| 30 | 1.5 | 2.0 | 2.5 | 3.0 | 3.5 | 4.0 | 4.5 | 5.0 | 5.5 | 6.0 | 6.5 | 7.0 | 7.5 | 8.0 | 8.5 |
| 40 | 2.0 | 2.5 | 3.0 | 3.5 | 4.0 | 4.5 | 5.0 | 5.5 | 6.0 | 6.5 | 7.0 | 7.5 | 8.0 | 8.5 | 9.0 |
| 50 | 2.5 | 3.0 | 3.5 | 4.0 | 4.5 | 5.0 | 5.5 | 6.0 | 6.5 | 7.0 | 7.5 | 8.0 | 8.5 | 9.0 | 9.5 |
| 60 | 3.0 | 3.5 | 4.0 | 4.5 | 5.0 | 5.5 | 6.0 | 6.5 | 7.0 | 7.5 | 8.0 | 8.5 | 9.0 | 9.5 | 10.0 |
| 75 | 3.5 | 4.0 | 4.5 | 5.0 | 5.5 | 6.0 | 6.5 | 7.0 | 7.5 | 8.0 | 8.5 | 9.0 | 9.5 | 10.0 | 10.5 |
| 100 | 4.0 | 4.5 | 5.0 | 5.5 | 6.0 | 6.5 | 7.0 | 7.5 | 8.0 | 8.5 | 9.0 | 9.5 | 10.0 | 10.5 | 11.0 |
| 150 | 4.5 | 5.0 | 5.5 | 6.0 | 6.5 | 7.0 | 7.5 | 8.0 | 8.5 | 9.0 | 9.5 | 10.0 | 10.5 | 11.0 | 11.5 |
| 200 | 5.0 | 5.5 | 6.0 | 6.5 | 7.0 | 7.5 | 8.0 | 8.5 | 9.0 | 9.5 | 10.0 | 10.5 | 11.0 | 11.5 | 12.0 |
| 250 | 5.5 | 6.0 | 6.5 | 7.0 | 7.5 | 8.0 | 8.5 | 9.0 | 9.5 | 10.0 | 10.5 | 11.0 | 11.5 | 12.0 | 12.5 |
| 300 | 6.0 | 6.5 | 7.0 | 7.5 | 8.0 | 8.5 | 9.0 | 9.5 | 10.0 | 10.5 | 11.0 | 11.5 | 12.0 | 12.5 | 13.0 |
| 400 | 6.5 | 7.0 | 7.5 | 8.0 | 8.5 | 9.0 | 9.5 | 10.0 | 10.5 | 11.0 | 11.5 | 12.0 | 12.5 | 13.0 | 13.5 |
| 500 | 7.0 | 7.5 | 8.0 | 8.5 | 9.0 | 9.5 | 10.0 | 10.5 | 11.0 | 11.5 | 12.0 | 12.5 | 13.0 | 13.5 | 14.0 |
| 600 | 7.5 | 8.0 | 8.5 | 9.0 | 9.5 | 10.0 | 10.5 | 11.0 | 11.5 | 12.0 | 12.5 | 13.0 | 13.5 | 14.0 | 14.5 |
| 750 | 8.0 | 8.5 | 9.0 | 9.5 | 10.0 | 10.5 | 11.0 | 11.5 | 12.0 | 12.5 | 13.0 | 13.5 | 14.0 | 14.5 | 15.0 |
| 1000 | 8.5 | 9.0 | 9.5 | 10.0 | 10.5 | 11.0 | 11.5 | 12.0 | 12.5 | 13.0 | 13.5 | 14.0 | 14.5 | 15.0 | 15.5 |
| 1500 | 9.0 | 9.5 | 10.0 | 10.5 | 11.0 | 11.5 | 12.0 | 12.5 | 13.0 | 13.5 | 14.0 | 14.5 | 15.0 | 15.5 | 16.0 |
| 2000 | 9.5 | 10.0 | 10.5 | 11.0 | 11.5 | 12.0 | 12.5 | 13.0 | 13.5 | 14.0 | 14.5 | 15.0 | 15.5 | 16.0 | 16.5 |
| 2500 | 10.0 | 10.5 | 11.0 | 11.5 | 12.0 | 12.5 | 13.0 | 13.5 | 14.0 | 14.5 | 15.0 | 15.5 | 16.0 | 16.5 | 17.0 |
| 3000 | 10.5 | 11.0 | 11.5 | 12.0 | 12.5 | 13.0 | 13.5 | 14.0 | 14.5 | 15.0 | 15.5 | 16.0 | 16.5 | 17.0 | 17.5 |
| 4000 | 11.0 | 11.5 | 12.0 | 12.5 | 13.0 | 13.5 | 14.0 | 14.5 | 15.0 | 15.5 | 16.0 | 16.5 | 17.0 | 17.5 | 18.0 |

DOUBLE ACTING ACTUATOR TORQUE OUTPUT IN Nm

SPRING RETURN ACTUATOR TORQUE OUTPUT IN Nm

| Spring Return Actuator Torque Output in Nm | | | | | | | | | | | | | | | |
|--|-------------|-----|-----|-----|-----|-----|-----|-----|-----|-----|-----|-----|-----|-----|-----|
| Size | Stroke (mm) | | | | | | | | | | | | | | |
| | 10 | 15 | 20 | 25 | 30 | 35 | 40 | 45 | 50 | 55 | 60 | 65 | 70 | 75 | 80 |
| 25 | 0.5 | 0.7 | 0.9 | 1.1 | 1.3 | 1.5 | 1.7 | 1.9 | 2.1 | 2.3 | 2.5 | 2.7 | 2.9 | 3.1 | 3.3 |
| 30 | 0.7 | 0.9 | 1.1 | 1.3 | 1.5 | 1.7 | 1.9 | 2.1 | 2.3 | 2.5 | 2.7 | 2.9 | 3.1 | 3.3 | 3.5 |
| 40 | 0.9 | 1.1 | 1.3 | 1.5 | 1.7 | 1.9 | 2.1 | 2.3 | 2.5 | 2.7 | 2.9 | 3.1 | 3.3 | 3.5 | 3.7 |
| 50 | 1.1 | 1.3 | 1.5 | 1.7 | 1.9 | 2.1 | 2.3 | 2.5 | 2.7 | 2.9 | 3.1 | 3.3 | 3.5 | 3.7 | 3.9 |
| 60 | 1.3 | 1.5 | 1.7 | 1.9 | 2.1 | 2.3 | 2.5 | 2.7 | 2.9 | 3.1 | 3.3 | 3.5 | 3.7 | 3.9 | 4.1 |
| 75 | 1.5 | 1.7 | 1.9 | 2.1 | 2.3 | 2.5 | 2.7 | 2.9 | 3.1 | 3.3 | 3.5 | 3.7 | 3.9 | 4.1 | 4.3 |
| 100 | 1.7 | 1.9 | 2.1 | 2.3 | 2.5 | 2.7 | 2.9 | 3.1 | 3.3 | 3.5 | 3.7 | 3.9 | 4.1 | 4.3 | 4.5 |
| 150 | 1.9 | 2.1 | 2.3 | 2.5 | 2.7 | 2.9 | 3.1 | 3.3 | 3.5 | 3.7 | 3.9 | 4.1 | 4.3 | 4.5 | 4.7 |
| 200 | 2.1 | 2.3 | 2.5 | 2.7 | 2.9 | 3.1 | 3.3 | 3.5 | 3.7 | 3.9 | 4.1 | 4.3 | 4.5 | 4.7 | 4.9 |
| 250 | 2.3 | 2.5 | 2.7 | 2.9 | 3.1 | 3.3 | 3.5 | 3.7 | 3.9 | 4.1 | 4.3 | 4.5 | 4.7 | 4.9 | 5.1 |
| 300 | 2.5 | 2.7 | 2.9 | 3.1 | 3.3 | 3.5 | 3.7 | 3.9 | 4.1 | 4.3 | 4.5 | 4.7 | 4.9 | 5.1 | 5.3 |
| 400 | 2.7 | 2.9 | 3.1 | 3.3 | 3.5 | 3.7 | 3.9 | 4.1 | 4.3 | 4.5 | 4.7 | 4.9 | 5.1 | 5.3 | 5.5 |
| 500 | 2.9 | 3.1 | 3.3 | 3.5 | 3.7 | 3.9 | 4.1 | 4.3 | 4.5 | 4.7 | 4.9 | 5.1 | 5.3 | 5.5 | 5.7 |
| 600 | 3.1 | 3.3 | 3.5 | 3.7 | 3.9 | 4.1 | 4.3 | 4.5 | 4.7 | 4.9 | 5.1 | 5.3 | 5.5 | 5.7 | 5.9 |
| 750 | 3.3 | 3.5 | 3.7 | 3.9 | 4.1 | 4.3 | 4.5 | 4.7 | 4.9 | 5.1 | 5.3 | 5.5 | 5.7 | 5.9 | 6.1 |
| 1000 | 3.5 | 3.7 | 3.9 | 4.1 | 4.3 | 4.5 | 4.7 | 4.9 | 5.1 | 5.3 | 5.5 | 5.7 | 5.9 | 6.1 | 6.3 |
| 1500 | 3.7 | 3.9 | 4.1 | 4.3 | 4.5 | 4.7 | 4.9 | 5.1 | 5.3 | 5.5 | 5.7 | 5.9 | 6.1 | 6.3 | 6.5 |
| 2000 | 3.9 | 4.1 | 4.3 | 4.5 | 4.7 | 4.9 | 5.1 | 5.3 | 5.5 | 5.7 | 5.9 | 6.1 | 6.3 | 6.5 | 6.7 |
| 2500 | 4.1 | 4.3 | 4.5 | 4.7 | 4.9 | 5.1 | 5.3 | 5.5 | 5.7 | 5.9 | 6.1 | 6.3 | 6.5 | 6.7 | 6.9 |
| 3000 | 4.3 | 4.5 | 4.7 | 4.9 | 5.1 | 5.3 | 5.5 | 5.7 | 5.9 | 6.1 | 6.3 | 6.5 | 6.7 | 6.9 | 7.1 |
| 4000 | 4.5 | 4.7 | 4.9 | 5.1 | 5.3 | 5.5 | 5.7 | 5.9 | 6.1 | 6.3 | 6.5 | 6.7 | 6.9 | 7.1 | 7.3 |

NOTE: A= STANDARD

| Double Acting Actuator Torque Output in lb-ft | | | | | | | | | | | | | | | |
|---|-------------|-----|-----|-----|-----|-----|-----|-----|-----|-----|------|------|------|------|------|
| Size | Stroke (mm) | | | | | | | | | | | | | | |
| | 10 | 15 | 20 | 25 | 30 | 35 | 40 | 45 | 50 | 55 | 60 | 65 | 70 | 75 | 80 |
| 25 | 0.7 | 1.0 | 1.3 | 1.6 | 1.9 | 2.2 | 2.5 | 2.8 | 3.1 | 3.4 | 3.7 | 4.0 | 4.3 | 4.6 | 4.9 |
| 30 | 1.0 | 1.3 | 1.6 | 2.0 | 2.3 | 2.7 | 3.0 | 3.4 | 3.7 | 4.0 | 4.3 | 4.6 | 4.9 | 5.2 | 5.5 |
| 40 | 1.3 | 1.6 | 2.0 | 2.3 | 2.7 | 3.0 | 3.4 | 3.7 | 4.0 | 4.3 | 4.6 | 4.9 | 5.2 | 5.5 | 5.8 |
| 50 | 1.6 | 2.0 | 2.3 | 2.7 | 3.0 | 3.4 | 3.7 | 4.0 | 4.3 | 4.6 | 4.9 | 5.2 | 5.5 | 5.8 | 6.1 |
| 60 | 1.9 | 2.3 | 2.7 | 3.0 | 3.4 | 3.7 | 4.0 | 4.3 | 4.6 | 4.9 | 5.2 | 5.5 | 5.8 | 6.1 | 6.4 |
| 75 | 2.2 | 2.7 | 3.0 | 3.4 | 3.7 | 4.0 | 4.3 | 4.6 | 4.9 | 5.2 | 5.5 | 5.8 | 6.1 | 6.4 | 6.7 |
| 100 | 2.5 | 3.0 | 3.4 | 3.7 | 4.0 | 4.3 | 4.6 | 4.9 | 5.2 | 5.5 | 5.8 | 6.1 | 6.4 | 6.7 | 7.0 |
| 150 | 2.8 | 3.4 | 3.7 | 4.0 | 4.3 | 4.6 | 4.9 | 5.2 | 5.5 | 5.8 | 6.1 | 6.4 | 6.7 | 7.0 | 7.3 |
| 200 | 3.1 | 3.7 | 4.0 | 4.3 | 4.6 | 4.9 | 5.2 | 5.5 | 5.8 | 6.1 | 6.4 | 6.7 | 7.0 | 7.3 | 7.6 |
| 250 | 3.4 | 4.0 | 4.3 | 4.6 | 4.9 | 5.2 | 5.5 | 5.8 | 6.1 | 6.4 | 6.7 | 7.0 | 7.3 | 7.6 | 7.9 |
| 300 | 3.7 | 4.3 | 4.6 | 4.9 | 5.2 | 5.5 | 5.8 | 6.1 | 6.4 | 6.7 | 7.0 | 7.3 | 7.6 | 7.9 | 8.2 |
| 400 | 4.0 | 4.6 | 4.9 | 5.2 | 5.5 | 5.8 | 6.1 | 6.4 | 6.7 | 7.0 | 7.3 | 7.6 | 7.9 | 8.2 | 8.5 |
| 500 | 4.3 | 5.0 | 5.2 | 5.5 | 5.8 | 6.1 | 6.4 | 6.7 | 7.0 | 7.3 | 7.6 | 7.9 | 8.2 | 8.5 | 8.8 |
| 600 | 4.6 | 5.3 | 5.5 | 5.8 | 6.1 | 6.4 | 6.7 | 7.0 | 7.3 | 7.6 | 7.9 | 8.2 | 8.5 | 8.8 | 9.1 |
| 750 | 4.9 | 5.6 | 5.8 | 6.1 | 6.4 | 6.7 | 7.0 | 7.3 | 7.6 | 7.9 | 8.2 | 8.5 | 8.8 | 9.1 | 9.4 |
| 1000 | 5.2 | 5.9 | 6.1 | 6.4 | 6.7 | 7.0 | 7.3 | 7.6 | 7.9 | 8.2 | 8.5 | 8.8 | 9.1 | 9.4 | 9.7 |
| 1500 | 5.5 | 6.2 | 6.4 | 6.7 | 7.0 | 7.3 | 7.6 | 7.9 | 8.2 | 8.5 | 8.8 | 9.1 | 9.4 | 9.7 | 10.0 |
| 2000 | 5.8 | 6.5 | 6.7 | 7.0 | 7.3 | 7.6 | 7.9 | 8.2 | 8.5 | 8.8 | 9.1 | 9.4 | 9.7 | 10.0 | 10.3 |
| 2500 | 6.1 | 6.8 | 7.0 | 7.3 | 7.6 | 7.9 | 8.2 | 8.5 | 8.8 | 9.1 | 9.4 | 9.7 | 10.0 | 10.3 | 10.6 |
| 3000 | 6.4 | 7.1 | 7.3 | 7.6 | 7.9 | 8.2 | 8.5 | 8.8 | 9.1 | 9.4 | 9.7 | 10.0 | 10.3 | 10.6 | 10.9 |
| 4000 | 6.7 | 7.4 | 7.6 | 7.9 | 8.2 | 8.5 | 8.8 | 9.1 | 9.4 | 9.7 | 10.0 | 10.3 | 10.6 | 10.9 | 11.2 |

DOUBLE ACTING ACTUATOR TORQUE OUTPUT IN lb-ft

SPRING RETURN ACTUATOR TORQUE OUTPUT IN lb-ft

| Spring Return Actuator Torque Output in lb-ft | | | | | | | | | | | | | | | |
|---|-------------|-----|-----|-----|-----|-----|-----|-----|-----|-----|-----|-----|-----|-----|-----|
| Size | Stroke (mm) | | | | | | | | | | | | | | |
| | 10 | 15 | 20 | 25 | 30 | 35 | 40 | 45 | 50 | 55 | 60 | 65 | 70 | 75 | 80 |
| 25 | 0.4 | 0.5 | 0.6 | 0.7 | 0.8 | 0.9 | 1.0 | 1.1 | 1.2 | 1.3 | 1.4 | 1.5 | 1.6 | 1.7 | 1.8 |
| 30 | 0.5 | 0.6 | 0.7 | 0.8 | 0.9 | 1.0 | 1.1 | 1.2 | 1.3 | 1.4 | 1.5 | 1.6 | 1.7 | 1.8 | 1.9 |
| 40 | 0.6 | 0.7 | 0.8 | 0.9 | 1.0 | 1.1 | 1.2 | 1.3 | 1.4 | 1.5 | 1.6 | 1.7 | 1.8 | 1.9 | 2.0 |
| 50 | 0.7 | 0.8 | 0.9 | 1.0 | 1.1 | 1.2 | 1.3 | 1.4 | 1.5 | 1.6 | 1.7 | 1.8 | 1.9 | 2.0 | 2.1 |
| 60 | 0.8 | 0.9 | 1.0 | 1.1 | 1.2 | 1.3 | 1.4 | 1.5 | 1.6 | 1.7 | 1.8 | 1.9 | 2.0 | 2.1 | 2.2 |
| 75 | 0.9 | 1.0 | 1.1 | 1.2 | 1.3 | 1.4 | 1.5 | 1.6 | 1.7 | 1.8 | 1.9 | 2.0 | 2.1 | 2.2 | 2.3 |
| 100 | 1.0 | 1.1 | 1.2 | 1.3 | 1.4 | 1.5 | 1.6 | 1.7 | 1.8 | 1.9 | 2.0 | 2.1 | 2.2 | 2.3 | 2.4 |
| 150 | 1.1 | 1.2 | 1.3 | 1.4 | 1.5 | 1.6 | 1.7 | 1.8 | 1.9 | 2.0 | 2.1 | 2.2 | 2.3 | 2.4 | 2.5 |
| 200 | 1.2 | 1.3 | 1.4 | 1.5 | 1.6 | 1.7 | 1.8 | 1.9 | 2.0 | 2.1 | 2.2 | 2.3 | 2.4 | 2.5 | 2.6 |
| 250 | 1.3 | 1.4 | 1.5 | 1.6 | 1.7 | 1.8 | 1.9 | 2.0 | 2.1 | 2.2 | 2.3 | 2.4 | 2.5 | 2.6 | 2.7 |
| 300 | 1.4 | 1.5 | 1.6 | 1.7 | 1.8 | 1.9 | 2.0 | 2.1 | 2.2 | 2.3 | 2.4 | 2.5 | 2.6 | 2.7 | 2.8 |
| 400 | 1.5 | 1.6 | 1.7 | 1.8 | 1.9 | 2.0 | 2.1 | 2.2 | 2.3 | 2.4 | 2.5 | 2.6 | 2.7 | 2.8 | 2.9 |
| 500 | 1.6 | 1.7 | 1.8 | 1.9 | 2.0 | | | | | | | | | | |