



1150-1158 BUTTERFLY VALVES + UM ELECTRIC ACTUATOR

Model/Ref: 260303022060



*Partnership.
Without Limits.*

www.lauridsenindustri.dk

1150-1158 BUTTERFLY VALVES + UM ELECTRIC ACTUATOR

CHARACTERISTICS

The butterfly valves 1150 to 1158 are dedicated to the automatic opening/shut-off of various fluid pipes. It has a ductile iron body. Thanks to various material possibilities for both the butterfly and the sleeve, it can be used in different applications. The wafer type body enables the mounting between PN10/16 or ANSI 150 flanges. The ISO 5211 pad enables the direct mounting of the UM electric actuator. It is perfectly adapted for an indoor or outdoor industrial use.



AVAILABLE ITEMS

DN 32-40 to DN 150

Flanged connections RF PN10/16 and ANSI 150

Voltages: 24 V DC, 24 V AC and 230 V AC

Ref.	Butterfly	Sleeve	Application examples	Min. TS	Max. TS
1141	Ductile iron	NBR	Natural gas –NF-ROB GAZ 5 bar Certification	-10 °C	+60 °C
1147	Stainless steel 316	Carboxylated NBR.	Powdery – abrasive material	-10 °C	+80 °C
1150	Ductile iron	EPDM	Cold water – warm water (max 110 °C) - ACS	-10 °C	+90 °C
1151	Stainless steel 316	NBR	Hydrocarbons, natural gas, compressed air	-10 °C	+80 °C
1152	Ductile iron	NBR	Hydrocarbons, natural gas, compressed air	-10 °C	+80 °C
1153	Stainless steel 316	EPDM	Demineralised water – Alkaline materials (max 110 °C) - ACS	-10 °C	+90 °C
1154	Stainless steel 316	FKM	Compatible aggressive fluids, oil	-5 °C	+150 °C
1156	Stainless steel 316	White NBR	Compatible aggressive fluids	-10 °C	+80 °C
1157	Stainless steel 316	SILICONE	Oils and greases	-15 °C	+150 °C
1157A	Polished Stainless steel	Food grade silicone	Food fluids (FDA certification)	-15 °C	+150 °C
1158	Aluminium bronze	NBR	Sea water	-10 °C	+80 °C

LIMITS OF USE

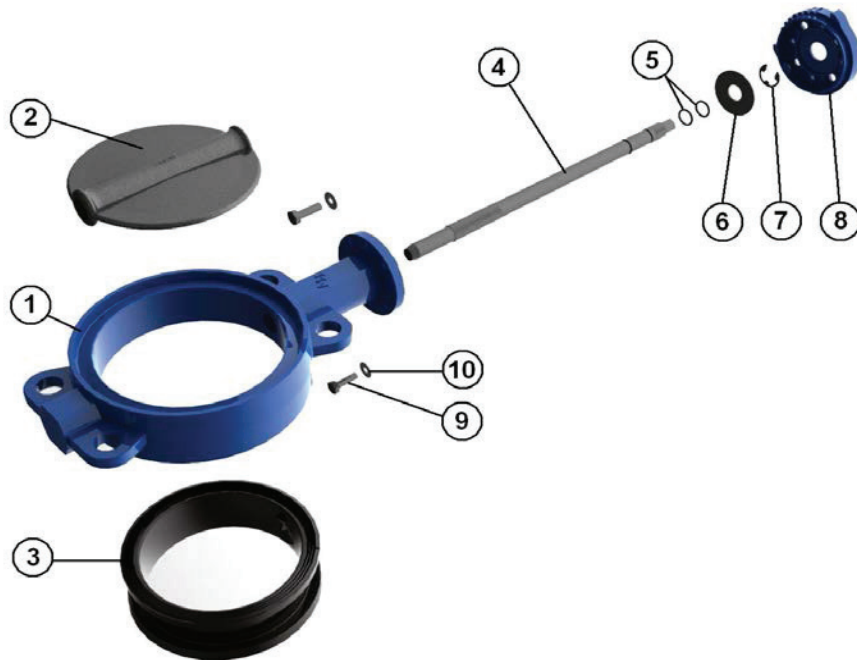
Max. allowable pressure (PS)	16 bar until DN200 10 bar until DN 400
Min./max. allowable temperature (TS)	According to the upper chart
Room temperature	-15 °C / +50 °C
Service	S4 - 30% - 10 starts / h



The following data is for information purpose only and may be subject to alteration without prior notice

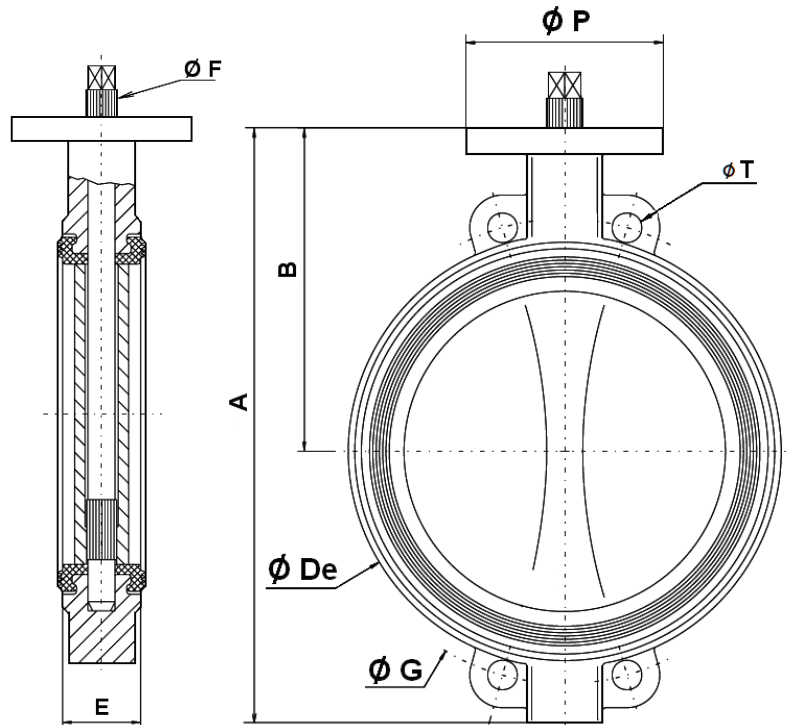
1150-1158 BUTTERFLY VALVES + UM ELECTRIC ACTUATOR
DIRECTIVES AND DEVELOPMENT STANDARDS APPLICABLE

	Standard	Notified bodies		Standard
97/23/EC Pressure Equipment Directive	Cat. III modules B+C1	0409	Valve testing	ISO 5208
ATEX Directive	II 2G/D Tx zones 1,2,21 and 22	0038	Face-to-face dimension	ISO 5752 series 20
Flange dimension	EN 1092-1		Sanitary compliance	ACS N° 07 ACC LY 504
Actuator attachment	ISO 5211			


CONSTRUCTION

Item	1147	1150	1151	1152	1153	1154	1156	1157	1158	
1 Body	Ductile iron GS EN GJS-500-7									
2 Butterfly DN32-100	Stainless steel A351 CF8M /1.4408									Aluminium bronze
3 Butterfly DN125-400	Stainless steel	Ductile iron GS EN GJS-500-7				Stainless steel A351 CF8M /1.4408				
3 Sleeve	NBR C.	EPDM	NBR	NBR	EPDM	FKM	White NBR	Silicone	NBR	
4 Stem	SS 304	SS 420	SS 304	SS 420	SS 304	SS 304	SS 304	SS 304	SS 304	
5 O-ring	NBR	EPDM	NBR	NBR	EPDM	FKM	NBR	EPDM	NBR	
6 Ring	Steel									
7 Securing rings / Circlips	Steel									
8 ISO pad	Aluminium									
9 Screw	Steel 5.6									
10 Washer	Steel									

The following data is for information purpose only and may be subject to alteration without prior notice

1150-1158 BUTTERFLY VALVES + UM ELECTRIC ACTUATOR
DIMENSIONS (mm)


DN	32-40	50	65	80	100	125	150	200	250	300	350	400
A	206	228	243	266	294	324	349	438	461	523	582	645
B	140	156	162	170	185	207	216	256	248	280	300	340
Ø De	82	102	119	135	155	185	208	270	328	381	437	486
E	33	43	46	46	52	56	56	60	68	78	78	102
Ø F	10.5	10.5	14.5	16.5	16.5	18.5	18.5	22.5	25.5	30.5	30.5	35.5
Ø G	110	125	145	160	180	210	240	295	350	400	460	515
Ø P	88	88	88	88	88	105	105	105	150	150	170	170
Ø T	18	18	18	18	18	18	23	23	23	23	23	17
Weight (kg)	2.46	3.66	4.40	4.60	6	7.60	9.20	14.7	24.7	33	39	52

FLOW FACTOR Kv (m³/h)

DN	32-40	50	65	80	100	125	150	200	250	300	350	400
Kv	70	109	200	334	551	901	1427	2383	3825	5659	8177	10659

The following data is for information purpose only and may be subject to alteration without prior notice

1150-1158 BUTTERFLY VALVES + UM ELECTRIC ACTUATOR
ACTUATION WITH UM

Suggested standard UM actuation under the following conditions:

- Electric actuator with an IP 65 plastic enclosure and steel gears
- A minimum 1.3 safety factor compared with the valve nominal torque rating,
- A maximum pressure differential up/downstream of 10 bar ($=\Delta P$)

The actuator is directly mounted with an aluminium actuation pad

DN	Actuator	Power	Operating time* 230 V AC	Operating time* 24 V AC/DC	Standard equipment of the actuator
32-40	UMA3.5	10 W	10 s	15 s	2 adjustable limit switches 2 dry auxiliary switches Actuator thermal cut-out Manual override by key Visual position indicator Electrical connection: UMA3.5: 1 gland pack ½" PF UMC10: 2 gland packs. ½" PF
40	UMA3.5	10 W	10 s	15 s	
50	UMA3.5	10 W	10 s	15 s	
65	UMA3.5	10 W	10 s	15 s	
80	UMA3.5	10 W	10 s	15 s	
100	UMC10	25 W	8 s	N/A	
125	UMC10	25 W	8 s	N/A	
150	UMC15	25 W	8 s	8 s	<u>Optional equipment</u> Anti-condensation heater

*Unloaded operating time given for information purpose only. May vary depending on the medium

For any other working conditions, please contact us.

ACTUATION OPTIONS

There are many different options, please contact our commercial department.

1	Electric actuator sized for a maximum pressure differential up/downstream over 10 bar ($=\Delta P$)
2	UM electric actuator with a declutchable manual override by handwheel
3	Anti-condensation heater

VALVE OPTIONS

1	Carbon steel body, stainless steel 304 and 316, bronze and aluminium
2	Carbon steel butterfly, stainless steel 304 and 316, bronze aluminium, uranus, hastelloy
3	Hypalon seats, steam silicone, white EPDM, natural rubber, vulcanized neoprene
4	Stainless steel 420, 304, 316 stems, hastelloy

The following data is for information purpose only and may be subject to alteration without prior notice