

The UV electric actuators are generally used on ¼ turn valves. The maximum output torque is between 150 Nm and 600 Nm. Its compact construction with an aluminium alloy enclosure and a plastic cover makes it convenient for the actuation of ball valves and butterfly valves. The UV electric actuators are equipped with a manual override activated by handwheel. Protection IP 65: possible use indoor and outdoor under shelter.

Torque: 150 Nm, 250 Nm, 490 Nm and 600 Nm
Voltage: 230 V AC, 24 V AC and 24 V DC



	IP 65
	-10 °C / +60 °C
	S4 - 30% - 10 starts/h

	Treated steel pinions
	90° +/- 5°
	N/A
	Handwheel



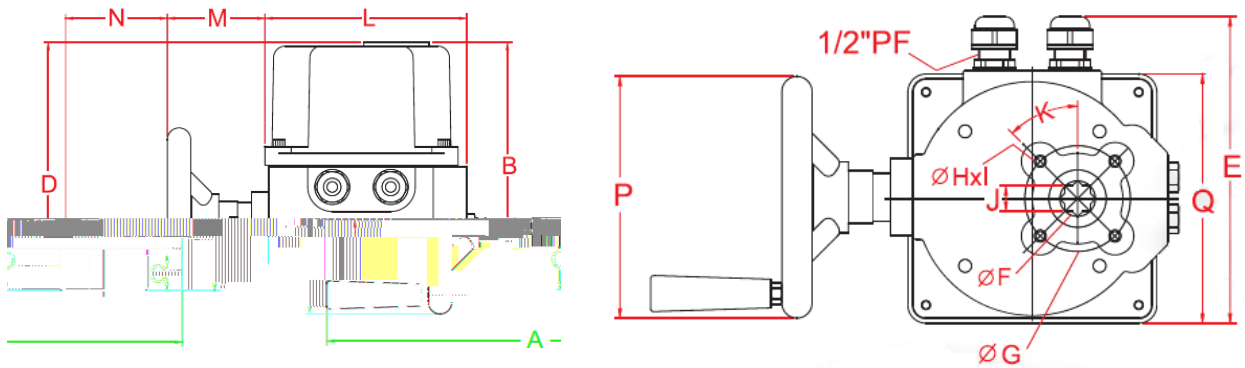
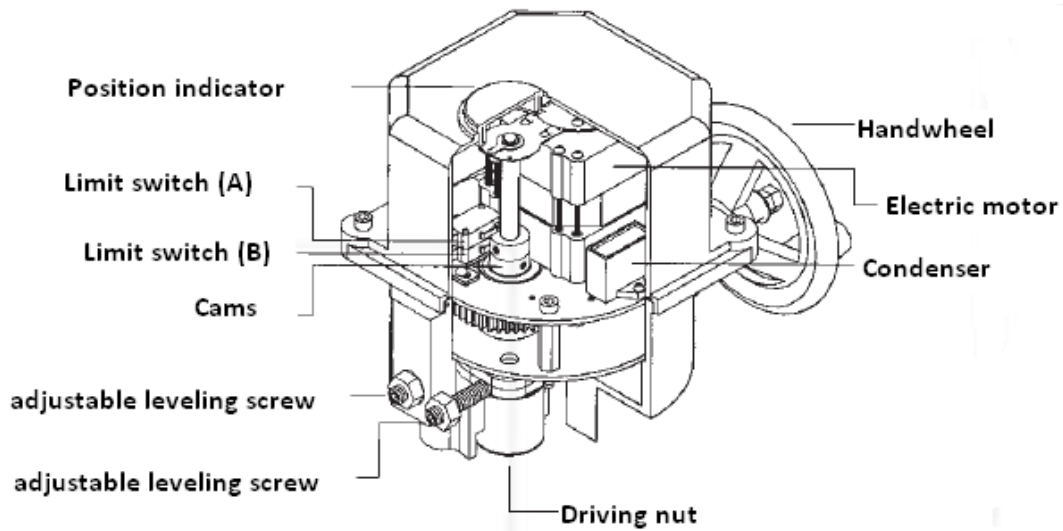
	UVC15		UVD25			UVF50	UVG60
	230 V AC	24 V AC	230 V AC	24 V AC	24 V DC	230 V AC	230 V AC
	150 Nm		250 Nm			490 Nm	600 Nm
	8 s		20 s			30 s	30 s
	F07		F07/F10			F10/F12	F10/F12
	17		22			27	27

	Thermal cut-out		Optional, 2 W heater
	2 adjustable switches		2 gland packs. ½" PF
	2 adjustable dry switches, cutting capacity: 3 A @ 230 V AC / 0.3 A @ 250 V DC		

	UVC15		UVD25			UVF50	UVG60
	230 V AC	24 V AC	230 V AC	24 V AC	24 V DC	230 V AC	230 V AC
	25 W	30 W	25 W	30 W	30 W	40 W	60 W
	0.42 A	0.5 A	0.42 A	0.5 A	0.5 A	0.58 A	0.66 A

The following data is for information purpose only and may be subject to alteration without prior notice

	Aluminium alloy		Treated steel
	PA66 plastic		Steel
	Treated steel		Plexiglas®
	Steel		



UVC15	350	215	30	236	203	70	17	173	84	87	59	160	165
UVD25	350	240*	30	235	203	102	22	173	84	87	85	160	165
UVF50	350	272	34	260	203	125	27	173	84	87	92	200	165
UVG60	350	272	34	260	203	125	27	173	84	87	92	200	165

* This dimension is 266 mm for the 24 V AC/DC version.

The following data is for information purpose only and may be subject to alteration without prior notice

	Common	
	Opening phase	
	Closing phase	
	Open powered contact	
	Close powered contact	
	Heater	
	Heater	
	Aux. common LS3 Opening	
	Aux. NO contact LS3 Opening	
	Aux. NC contact LS3 Opening	
	Aux. common LS4 Closing	
	Aux. NO contact LS4 Closing	
	Aux. NC contact LS4 Closing	

	Common	
	Opening phase	
	Closing phase	
	Open powered contact	
	Close powered contact	
	Heater	
	Heater	
	Aux. common LS3 Opening	
	Aux. NO contact LS3 Opening	
	Aux. NC contact LS3 Opening	
	Aux. common LS4 Closing	
	Aux. NO contact LS4 Closing	
	Aux. NC contact LS4 Closing	

	Wire 1 with +	
	Wire 3 with -	
	Bridge between 3 and 4 opening	
	Disconnected 4 closing	

The following data is for information purpose only and may be subject to alteration without prior notice