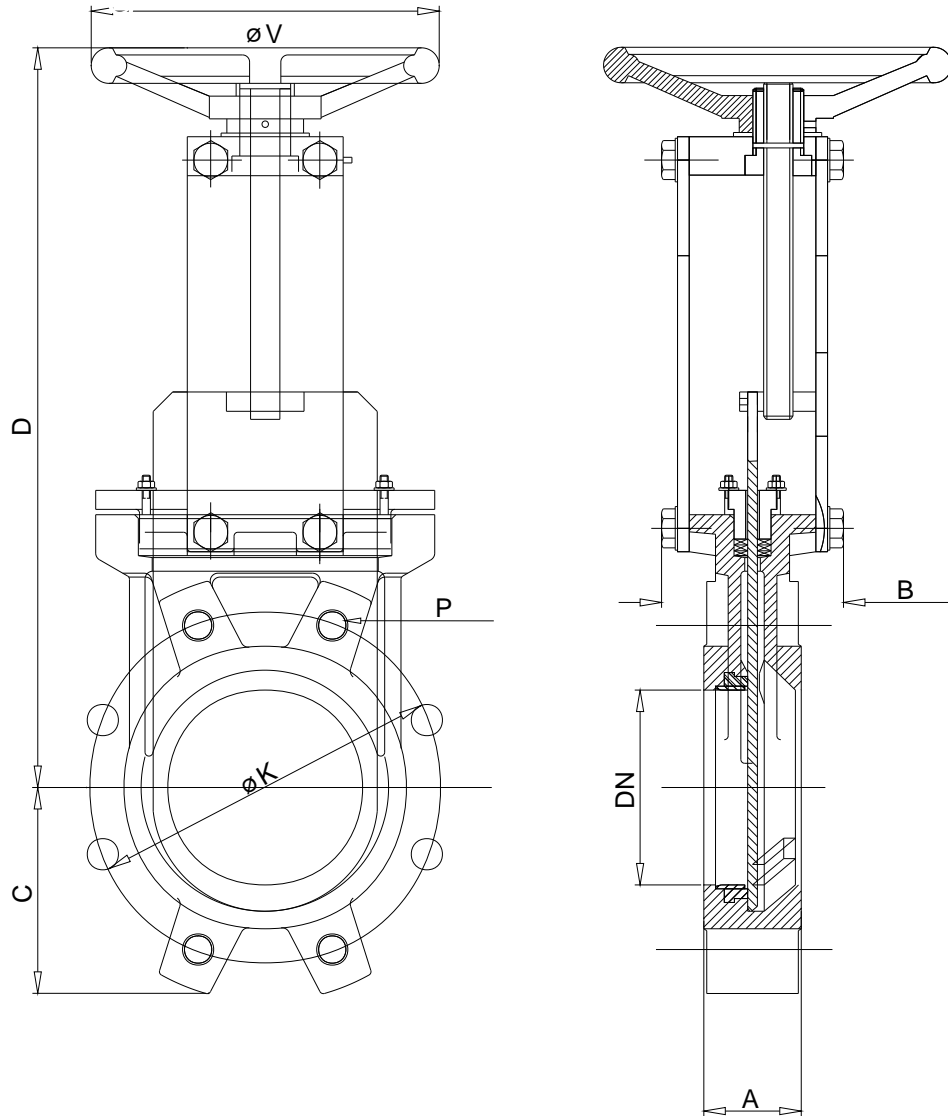


TYPE 1200 HANDWHEEL - NON RISING STEM



DN	INCHES	A	B	C	D	øV
50	2"	40	90	60	286	200
65	2 1/2"	40	90	68	313	200
80	3"	50	90	90	339	200
100	4"	50	90	105	379	200
125	5"	50	100	118	417	250
150	6"	60	100	135	468	250
200	8"	60	120	170	588	300
250	10"	70	120	202	688	300
300	12"	70	120	240	788	300
350	14"	96	192	255	903	400
400	16"	100	192	295	1008	400
450	18"	106	192	318	1098	500
500	20"	110	192	345	1214	500
600	24"	110	290	405	1419	500

*Higher diameters under request.

DN	INCHES	øK		NO. HOLES	P	
		PN 10	ANSI 150		PN 10	ANSI 150
50	2"	125	120,6	4	M16	W 5/8"
65	2 1/2"	145	139,7	4	M16	W 5/8"
80	3"	160	152,4	8	M16	W 5/8"
100	4"	180	190,5	8	M16	W 5/8"
125	5"	210	215,9	8	M16	W 3/4"
150	6"	240	241,3	8	M20	W 3/4"
200	8"	295	298,4	8	M20	W 3/4"
250	10"	350	361,9	12	M20	W 7/8"
300	12"	400	431,8	12	M20	W 7/8"
350	14"	460	476,2	16	M20	W 1"
400	16"	515	539,7	16	M24	W 1"
450	18"	565	577,8	20	M24	W 1 1/8"
500	20"	620	635	20	M24	W 1 1/8"
600	24"	725	749,3	20	M27	W 1 1/4"



Vibevej 18 26 • DK - 6705 Esbjerg Ø

Phone: +45 75 126274 Mobile: +45 41 192666

Fax: +45 75124274

E-mail: info@ventiler.net

web: www.ventiler.net

LAURIDSEN INDUSTRI reserves the right to modify the measures without previous notice