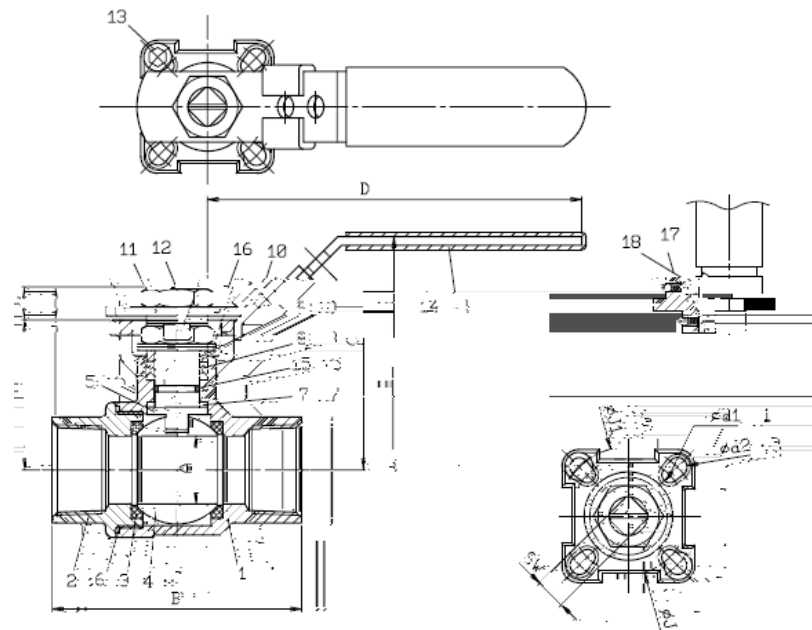


715 XS VALVE WITH SF SWITCH BOX

CONSTRUCTION

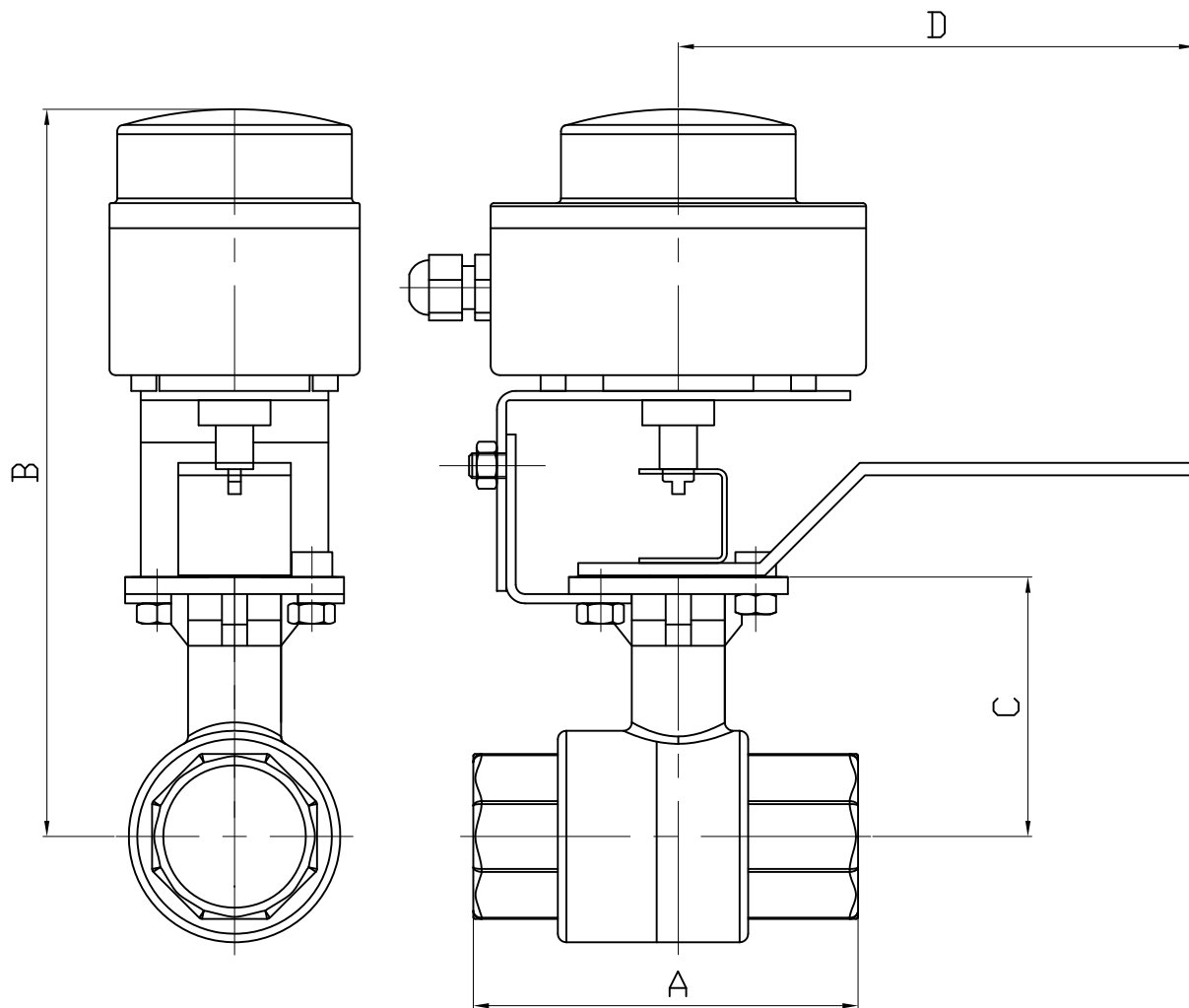
No.	Name	Material	No.	Name	Material
1	Body	1.4408 SS	11	Lever	304 SS
2	Lateral end	1.4408 SS	12	Nut	304 SS
4	Seats	PTFE + +15% GF	13	Stop	304 SS
5	Stem	316 SS	14	Liner	PVC
6	Body gasket	PTFE	15	O-ring	FKM
7	Washer	PTFE	16	Slide	304 SS
8	Cable gland gasket	PTFE	17	Antistatic device	316 SS
9	Washer	304 SS	18	Spring	316 SS
10	Belleville spring	301 SS			



DIMENSIONS (mm)


DN	A	B	C	D	H	L	J	J1	d1	d2	SW
1/2"	15	55	70.9	110	42.3	8	42	50	6	7	9
3/4"	20	76	73.4	110	44.9	8	42	50	6	7	9
1"	24.5	83	84.1	135	54	10	42	50	6	7	11
1" 1/4	32	91	89.3	165	59.2	10	50	70	7	9	11
1" 1/2	38	103	109.5	165	71.3	10	50	70	7	9	11
2"	50	120	118.9	165	82.9	14.8	50	70	7	9	14
2" 1/2	65	155	155	300	107	17.1	70	102	9	11	17
3"	80	182	165	335	117	17.1	70	102	9	11	17

Information given as an indication only, and subject to possible modifications



DN	1/2"	3/4"	1"	1 1/4"	1 1/2"	2"
A	57	71	83	91	104	123
B	212.8	214.3	223.5	228.7	240.8	252.4
C	42.3	44.8	54	59.2	71.3	82.9
D	110	110	135	165	165	165
KG	1.62	1.74	2.1	2.61	2.94	4.74

Informations données à titre indicatif et sous réserve de modifications éventuelles
data subject to alteration

Ech: /	Date :13/10/2014	Dessiné par : E.D	Tolérances générales : +/- 0.2	Modifications	Date	REV.
<p>ROBINET A TOURNANT SPHERIQUE 715XS + BFC/BALL VALVE 715XS + LIMIT SWITCH BOX</p> 				Matière :		
				Poids (Kg) :		
				Traitement : SANS		
				Plan n° Ens 1195		

SF-TYPE SOLDO SWITCH BOXES

FEATURES

AVAILABLE MODELS

—



LIMITS OF USE

Ambient temperature	
IP Code	
SF	

MECHANICAL CONNECTION

Axis dimension	
Attachment	
Stainless steel arches for attachment onto the actuator	_____ _____ _____ _____



ELECTRICAL CONNECTION

Standard cable inputs	
Optional cable inputs	

CONSTRUCTION

Casing and lid	
Coating	
Stem	
Dome	

SF-TYPE SOLDO SWITCH BOXES

SWITCH DETAILS SF model

Ref.	Switch	Features	Max.

OPTIONS

SF-TYPE SOLDO SWITCH BOXES

DIMENSIONS (mm)

