

752-753 VALVE WITH SF SWITCH BOX

FEATURES

The 752-753+SFball valve is used to manually shut-off pipes with non-loaded industrial fluids, up to a pressure of 16 bar. The SF switch box makes it possible to see the position directly and has feedback information control. The 752-753 valve is a full-bore split-body valve, EC 97/23-, ATEX-, fire safe- and ISO 15848-1-approved for fugitive emissions. Its dimensions are standardised according to EN 558-1 series 27. The SF switch box is provided with 2 dry switches (standard). Due to its IP67 leak-tightness, it can be installed both indoors and outdoors. Different contacts and detectors are available as options.

AVAILABLE MODELS

752: 1.0619 carbon steel body

753: 1.4408 SS body

DN 15 to DN 150 diameters

PN16 RF flange connections

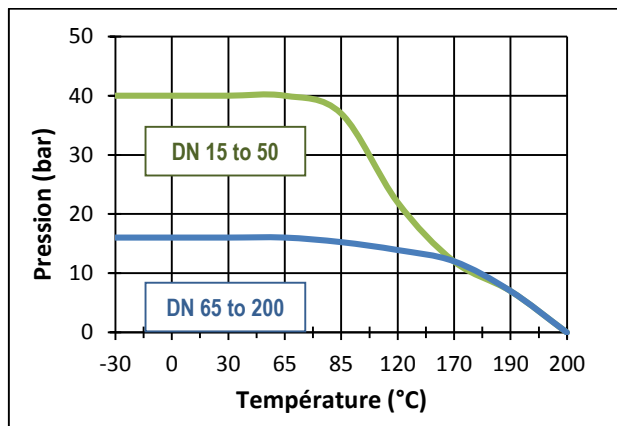
Electrical connection: 2 x M20x1.5



as an option



LIMITS OF USE



Fluid pressure: WP	DN 15 to 50: 40 bar (20°C) DN 65 to 200: 16 bar (20°C)
Fluid temperature: WT°	Steel: -20°C / +200°C Stainless steel: -30°C +200°C
Ambient temperature	-20°C / +80°C
IP Code	IP67

Information given as an indication only, and subject to possible modifications

752-753 VALVE WITH SF SWITCH BOX

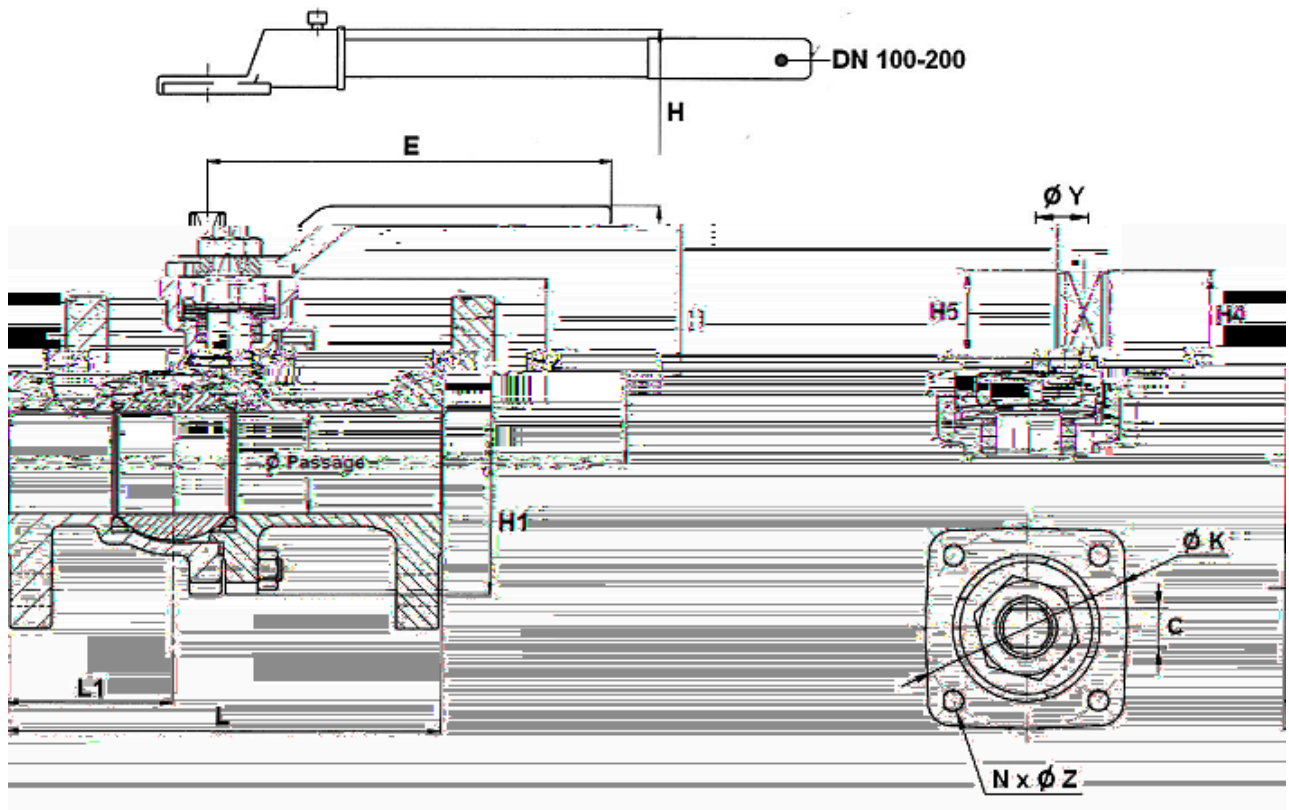
DIRECTIVES AND MANUFACTURING STANDARDS O

OBJECT	Standard	ON	OBJECT	Standard
Pressure Equipment Directive 97/23/EC	DN 15 to 20: not subject		Final test	EN 12266
	DN 25 to 100: category III	BV 0062	Material certificate	EN 10204
Design	EN 1983 and ISO 17292			
Size	EN 12516-1		Steel grades	EN 1503-1
Flange dimensions	EN 1092-1		Face-to-face dimension	EN 558-1 series 27
Fire safe	ISO 10497 (2004)		Fugitive emissions	EN 15848-1
Connection Motorisation	ISO 5211		Actuator pilot connection	NAMUR
ATEX Directive	II 2G/D Tx zones 1,2,21 and 22		Switch box connection	VDI/VDE 3845

Information given as an indication only, and subject to possible modifications

752-753 VALVE WITH SF SWITCH BOX

DIMENSIONS (mm)

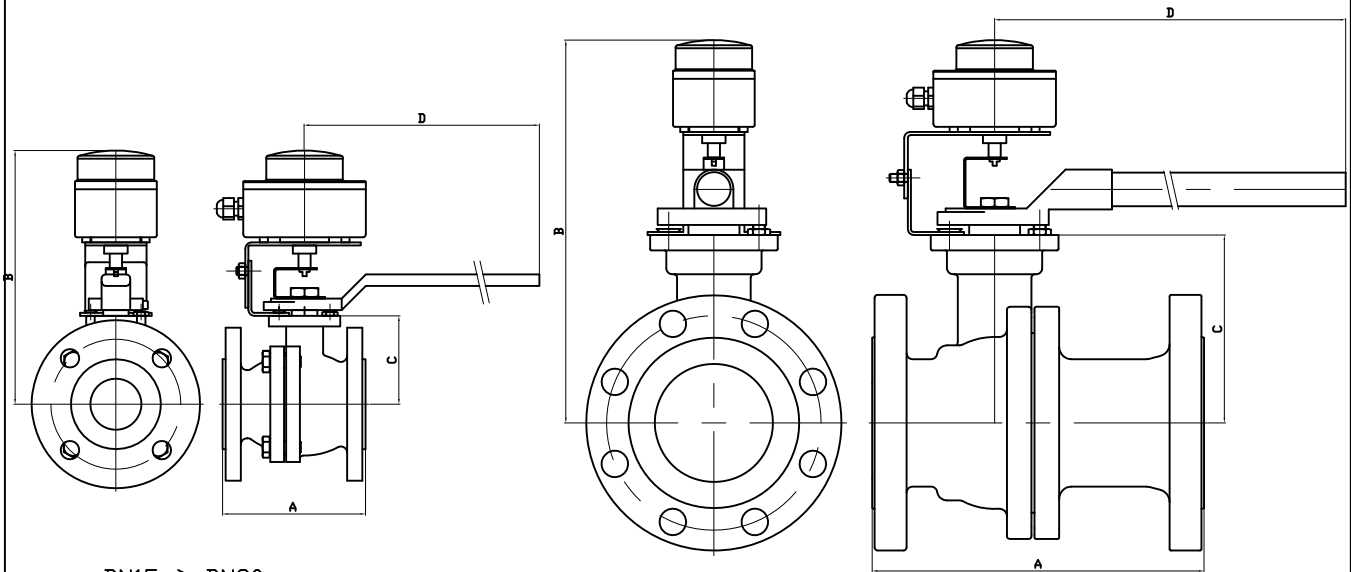


DN	15	20	25	32	40	50	65	80	100	125	150	200
Φ	15	20	25	32	40	50	65	78	100	125	151	203
L	115	120	125	130	140	150	170	180	190	325	350	400
L1	53	52	52	54	55	61	72	73	83	120	135	200
E	170	170	170	170	215	215	350	450	466	775	775	845
H	68	70	86	89.5	122.5	127.5	140	190	192.5	240	259	319
H1	31	33	39	43	48	63	78	87	108	134	152	202
H2	41	43	58.5	63.5	86.5	91.5	104	118.5	144	184	203	250
H4	18	18	22	22	33	33	34	34	45	56	56	69
H5	11	11	21	21	32	32	33	33	43.5	54.5	54.5	67
Φ Y	M10	M10	M12	M12	M18	M18	M22	M22	M28	M36	M36	M48
Φ K	50	50	50	50	70	70	70	102	102	125	125	140
ISO	F05	F05	F05	F05	F07	F07	F07	F10	F10	F12	F12	F14
N x Φ Z	4xM6	4xM6	4xM6	4xM6	4xM8	4xM8	4xM8	4xM10	4xM10	4xM12	4xM12	4xM16
Weight (kg)	2.4	3.2	4.1	5.8	8.1	10.6	13.3	19.1	25.6	47.6	63.5	115.3

FLOW-RATE COEFFICIENT Kv (m³/h)

DN	15	20	25	32	40	50	65	80	100	125	150	200
Kv	20	40	75	130	170	270	550	1000	1650	3000	4200	9000

Information given as an indication only, and subject to possible modifications




DN15 à DN80

DN100 à DN150

DN	DN15	DN20	DN25	DN32	DN40	DN50	DN65	DN80	DN100	DN125	DN150
A	115	120	125	130	140	150	170	180	190	325	350
B	222.5	224.5	240	245	268	282	294.5	309	344.5	394.5	413.5
C	41	43	58.5	63.5	86.5	91.5	104	118.5	144	184	203
D	170	170	170	170	215	215	335	430	466	680	680
KG	3.65	4.45	5.4	7.05	9.4	11.9	14.6	20.6	27.05	49.2	65.05

Informations données à titre indicatif et sous réserve de modifications éventuelles
data subject to alteration

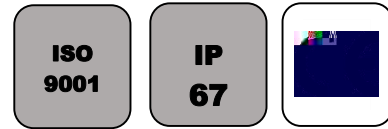
Ech: /	Date :14/10/2014	Dessiné par : E.D.	Tolérances générales : +/- 0.2	Modifications	Date	REV.
ROBINET A TOURNANT SPHERIQUE 752-753/BALL VALVE 752-753 + BFC/LIMIT SWITCH BOX				Matière :		
				Poids <Kg> :		
				Traitement : SANS		
				Plan n° Ens 1197		

SF-TYPE SOLDO SWITCH BOXES

FEATURES

AVAILABLE MODELS

—



LIMITS OF USE

Ambient temperature	
IP Code	
SF	



MECHANICAL CONNECTION

Axis dimension	
Attachment	
Stainless steel arches for attachment onto the actuator	_____ _____ _____ _____

ELECTRICAL CONNECTION

Standard cable inputs	
Optional cable inputs	

CONSTRUCTION

Casing and lid	
Coating	
Stem	
Dome	

SF-TYPE SOLDO SWITCH BOXES

SWITCH DETAILS SF model

Ref.	Switch	Features	Max.

OPTIONS

SF-TYPE SOLDO SWITCH BOXES

DIMENSIONS (mm)

