

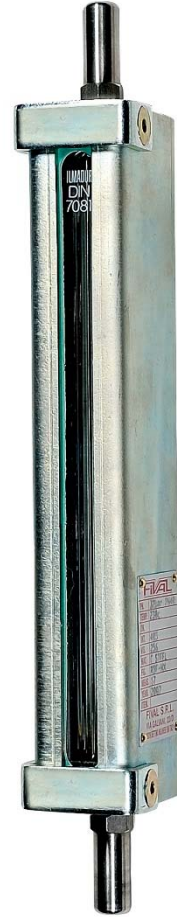
# REFLEX STEEL LEVEL GAUGE RBF

## MAIN CHARACTERISTICS

The RBF level gauge with reflection glass is intended for the immediate visual indication of a level of liquid in a tank. The working principle is based on the diffraction of the light through a prism. In practice, for the user the liquid part will appear sinks there and the brilliant gaseous part.

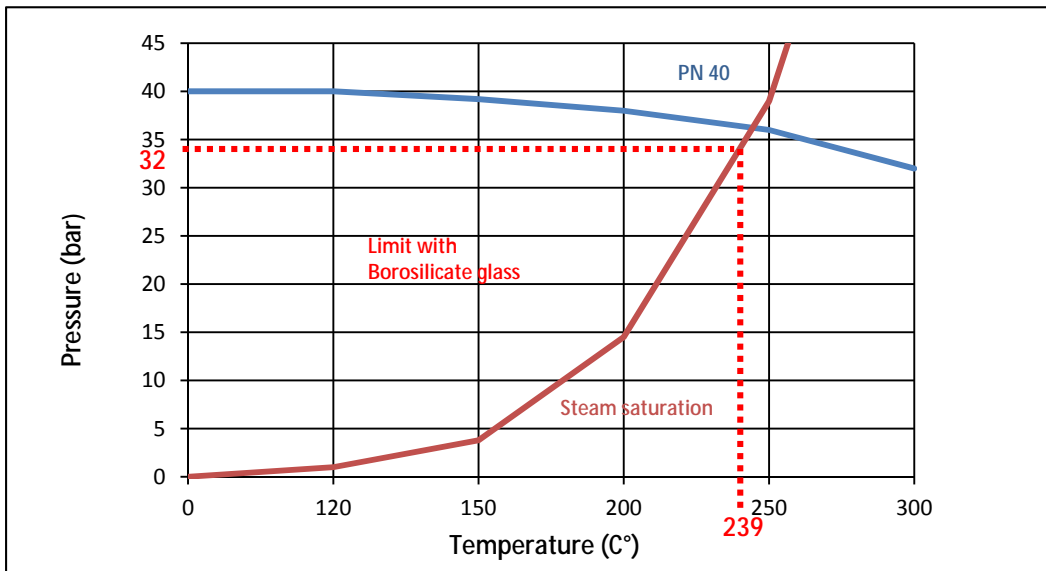
Of carbon steel standard construction, The level gauge suits perfectly for the level indication on steam boilers until 25 bar. It is equipped with one borosilicate glass following DIN 7081 standard type A.

The level gauge RBF must be linked by two NX isolation valves. The connection of the valve is made through smoother pipes  $\varnothing$  16 mm allowing an adjustment of the center distance.



## LIMITS OF USE

Max allowed fluid pressure : PS	40 bar to 20°C
Max allowed fluid temperature :TS	239°C with borosilicate glass
Use on saturated steam	32 bar to 239°C



Modifications reserved

# REFLEX STEEL LEVEL GAUGE RBF

## REGULATIONS AND STANDARDS OF CONSTRUCTION

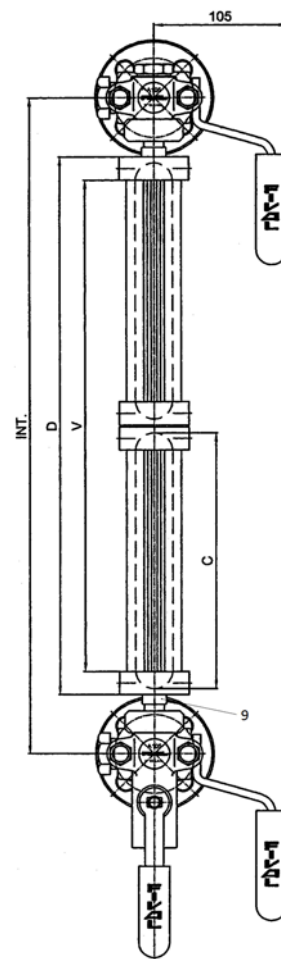
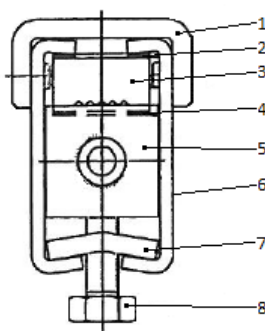
Item	Standard
Pressure equipment directive 97/23	Excluded
Dimensions of the glass	DIN 7081
Steel materials	EN 1503-1

## CONNECTION

Smooths nipples  $\varnothing$  16mm length 60mm.

## CONSTRUCTION

N°	Item	Material
1	Stirrup	Carbon steel
2	Spacer	Fiber
3	Reflex glass	Borosilicate
4	Lower gasket	Stainless graphit
5	Body	Carbon steel
6	Cover	Carbon steel
7	Plate of tightening	Carbon steel
8	Bolts	Acier zingué grad. 8.8
9	Nipples	Stainless steel



## DIMENSIONS (mm) AND WEIGHT (kg)

Size	3	4	5	6	7	8	9
Center distance INT	285	310	340	370	400	440	460
D	178	203	233	263	293	333	353
Visibility	141	166	196	226	256	296	313
C	165	190	220	250	280	320	340
Glass type	A	A	A	A	A	A	A
Weight (kg)	3,1	3,5	3,9	3,4	4,8	5,4	5,7

Size	2x4	2x5	2x6	2x7	2x8	2x9	3x6	3x7	3x8	3x9
Center distance INT	515	575	635	695	775	815	900	990	1110	1170
D	406	466	526	586	666	706	789	879	999	1059
Visibility	367	427	489	549	628	668	751	841	961	1021
C	190	220	250	280	320	340	250	280	320	340
GlassType	A	A	A	A	A	A	A	A	A	A
Weight (kg)	7	8	9,4	10,4	12,6	15,2	14,1	15,6	18,9	22,8

Size	4x7	4x8	4x9	5x7	5x8	5x9	6x8	6x9	7x9
Center distance INT	1285	1445	1525	1580	1780	1880	2115	2235	2590
D	1172	1332	1412	1465	1665	1765	1998	2118	2471
Visibility	1134	1294	1374	1427	1627	1727	1960	2080	2433
C	280	320	340	280	320	340	320	340	340
Glass type	A	A	A	A	A	A	A	A	A
Weight (kg)	21	25	31	26	32	38	38	46	53

Modifications reserved

# REFLEX STEEL LEVEL GAUGE RBF

## MOUNTING AND USE

- 1 - Isolate the supply system of the level gauge and remove the indicator case from reflex of the installation.
- 2 - To install the borosilicate glass, begin by unscrewing in the order bolts bootstraps (Item 8) of the case and unscrew the screws of the stirrups of security (Item 1).
- 3 - Remove delicately both lids (Item 6) from the case to remove the reflexion glass (Item 3) damaged, the superior spacer (Item 2) and the lower joint (Item 4).
- 4 - Clean the impact of gasket (Item 4). It is very important to take up a new gasket on the absolutely cleaned surface. (Never reuse old gasket).
- 5 - Mounting successively :
  - Lower gasket (Item 4), glass with srooved face in contact with lover gasket (Item 3), superior spacer (Item 2), Put back in position both lids (Item 6) of the case, and the stirrups of security (Item 1).
  - Tighten the screws of stirrups (Item 1) of security.
  - Tighten bolts bootstraps (Item 8).
  - Never tighten the level gauge body in a vice but put it on a plane surface.
  - Never use adhesives.
- 6 - Put back the assembly on the installation and open the supply system.

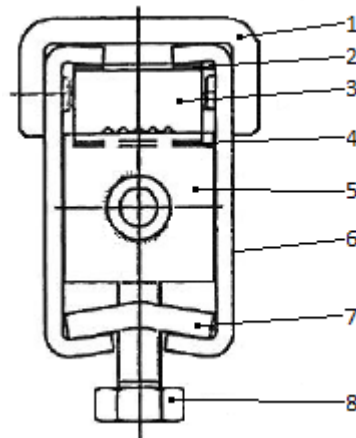
## MAINTENANCE

- 1 - Visual control.
- 2 - Cleaning of glass (cloth).

### INDICATIVE PLAN OF PLAN TIGHTENING :

Respect le torque of tightening indicated for level indicator.

For the RBF level gauge this torque value is 37 Nm



## SPARE PARTS

- 1 - Glass borosilicate: FT 2350

Models	A1	A2	A3	A4	A5	A6	A7	A8	A9
Code	2350911	2350912	2350913	2350914	2350915	2350916	2350917	2350918	2350919

## OPTIONS

- 1 - Valves type NX : FT 2315
- 2 - Nipples (Item 9) : lenght 57,5 – 62 – 102 mm

Modifications reserved